

LAMPIRAN

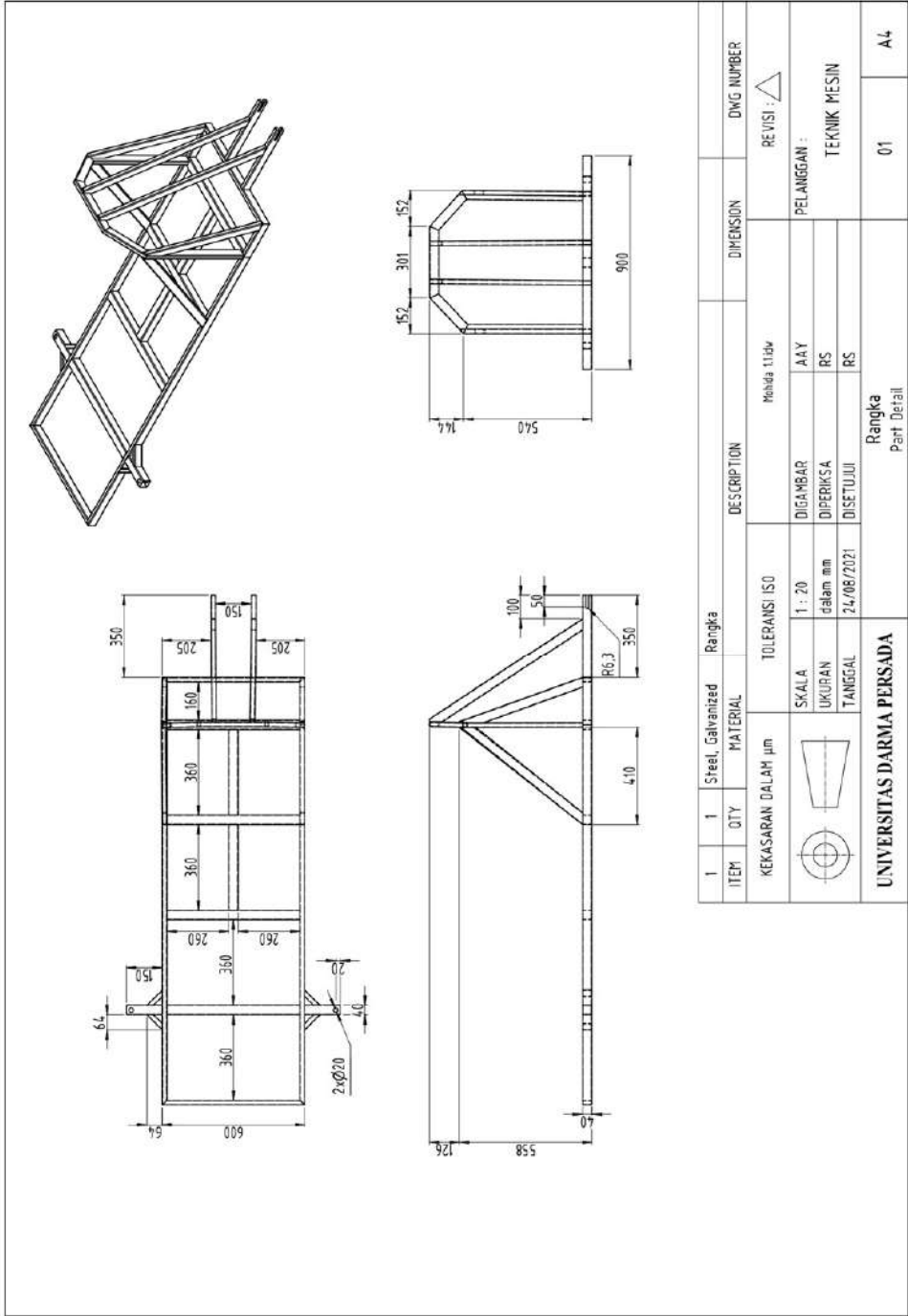
| ITEM | QTY | MATERIAL | DESCRIPTION | DWG NUMBER |
|------|-----|-------------------|-----------------------------|-----------------------------|
| 18 | 1 | | Controller | Brushed DC 500 Watt 36 Volt |
| 17 | 3 | Baterai | 12 V 12 A | |
| 16 | 1 | Brushed DC | 500 WATT 36 Volt | |
| 15 | 2 | Roda | 20" | |
| 14 | 4 | Stainless Steel | Pur | |
| 13 | 2 | Stainless Steel | Bulr dedaun roda | |
| 12 | 4 | Stainless Steel | Bulr jari | |
| 11 | 3 | Stainless Steel | Bulr link | |
| 10 | 1 | Steel | Sweat R. Kemudi dan Baterai | 10 |
| 9 | 1 | Steel | Aks duduk | 09 |
| 8 | 1 | Steel | Aks Kaki | 08 |
| 7 | 1 | Steel | Aks Bataji | 07 |
| 6 | 2 | Steel | link Remas | 06 |
| 5 | 1 | Steel | Stir | 05 |
| 4 | 1 | Steel, Galvanized | bracket slip | 04 |
| 3 | 2 | Steel | Balokan roda | 03 |
| 2 | 1 | Fiber Composite | Body mobil | 02 |
| 1 | 1 | Steel, Galvanized | Rangka | 01 |

| KESSARAN DALAM | | TOLERANSI | | REVISI | |
|----------------|------------|-----------|-----|--------|------|
| part | mm | ISO | mm | no | date |
| SKALA | 1 : 30 | DGAMBAR | AAK | | |
| UNDIRAN | dalam mm | OPERKSA | RS | | |
| TANGGAL | 21/08/2021 | DISETUJUI | RS | | |

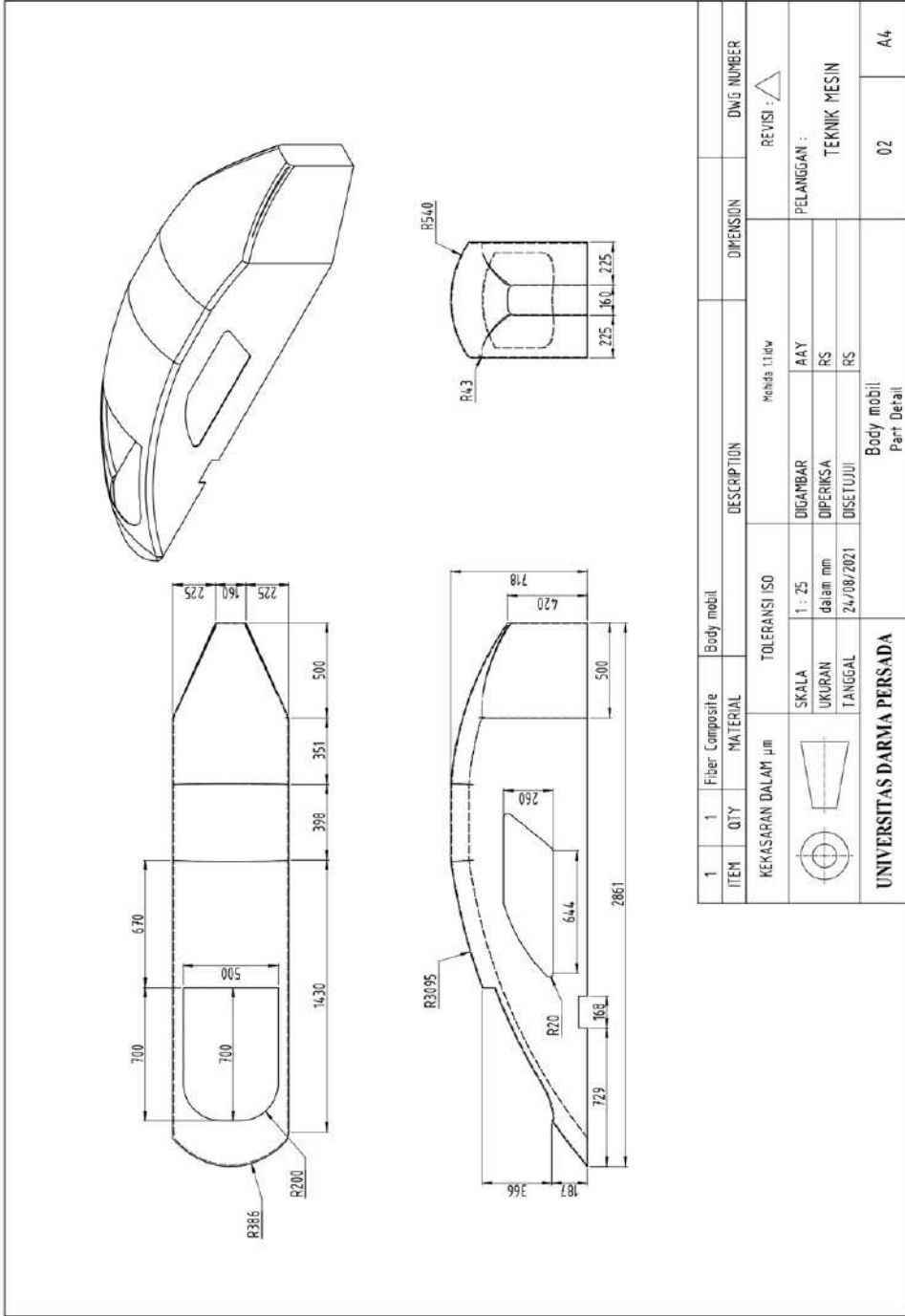
Mobil 11
Assembly

UNIVERSITAS DARMA PERSADA

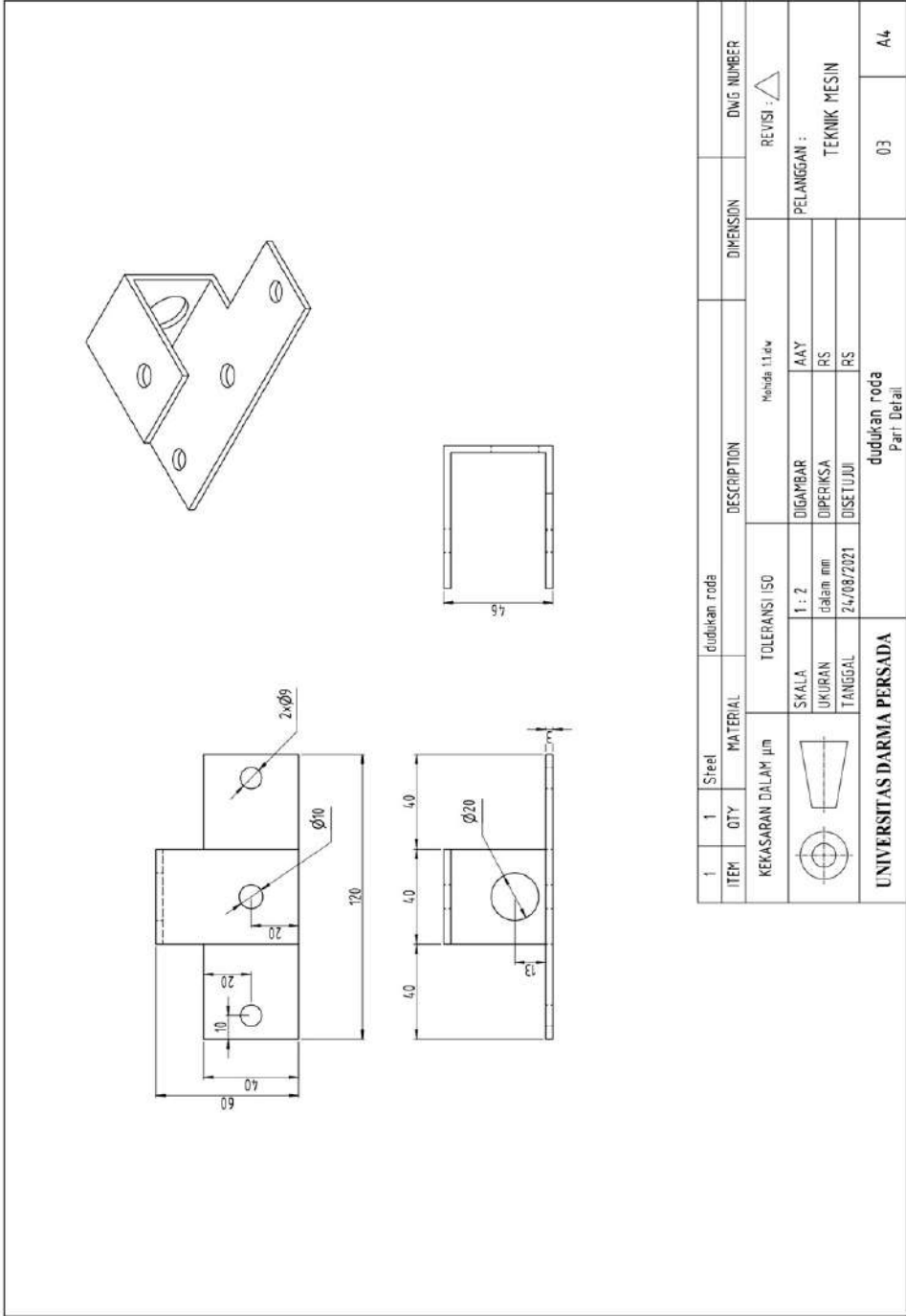
00 A3



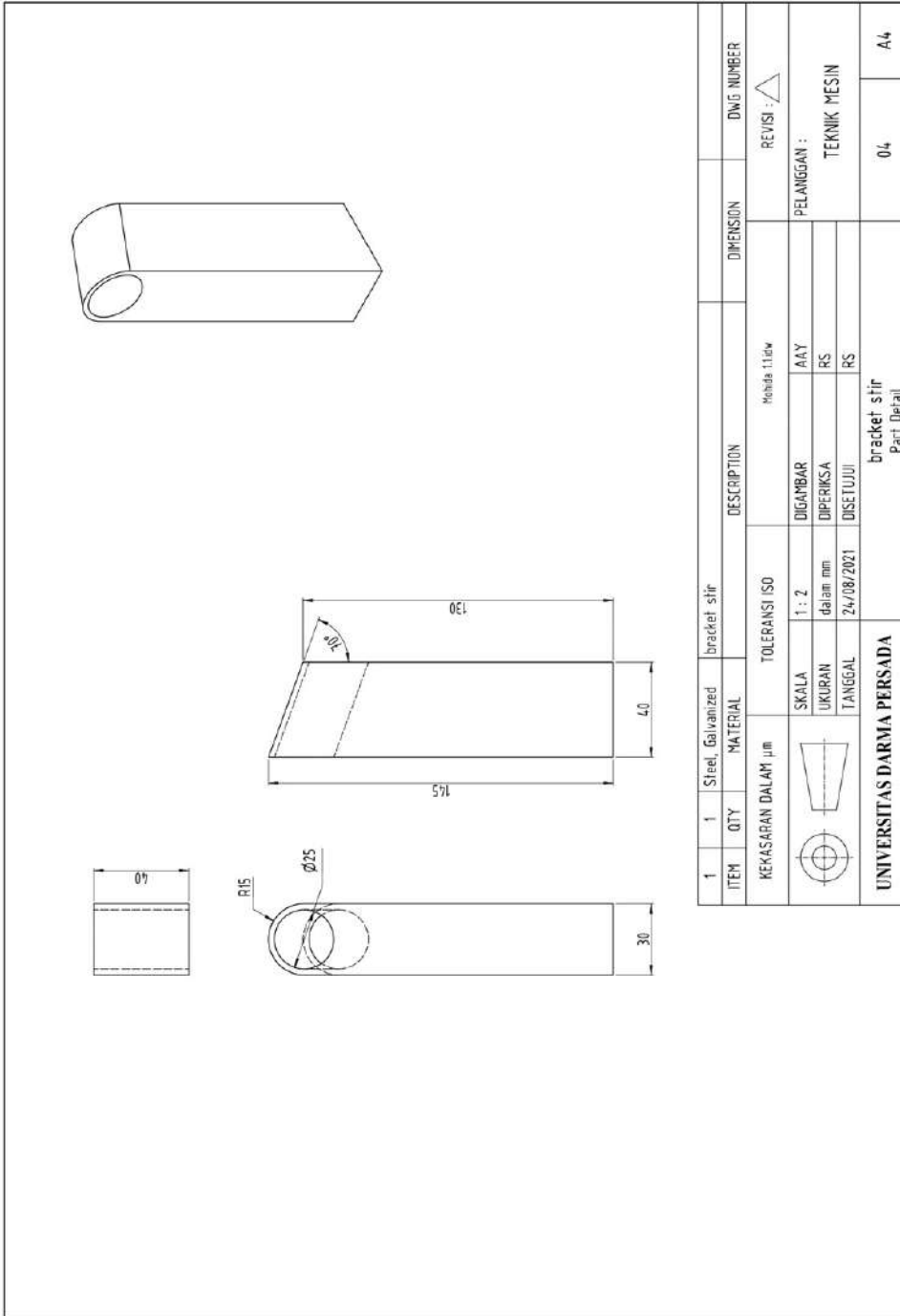
| ITEM | QTY | Steel, Galvanized | MATERIAL | Rangka | DESCRIPTION | DIMENSION | DWG NUMBER |
|-------------------------------|-----|-------------------|----------|-------------|----------------------|-----------|------------|
| 1 | 1 | Steel, Galvanized | MATERIAL | Rangka | DESCRIPTION | DIMENSION | DWG NUMBER |
| KEKASARAN DALAM μm | | TOLERANSI ISO | | Mbbda 11dv | REVISI : \triangle | | |
| SKALA 1 : 20 | | DIGAMBAR | | AA Y | PELANGGAN : | | |
| UKURAN dalam mm | | DIPERIKSA | | RS | TEKNIK MESIN | | |
| TANGGAL 24/08/2021 | | DISETUJUI | | RS | | | |
| UNIVERSITAS DARMA PERSADA | | | | Rangka | 01 | A4 | |
| | | | | Part Detail | | | |



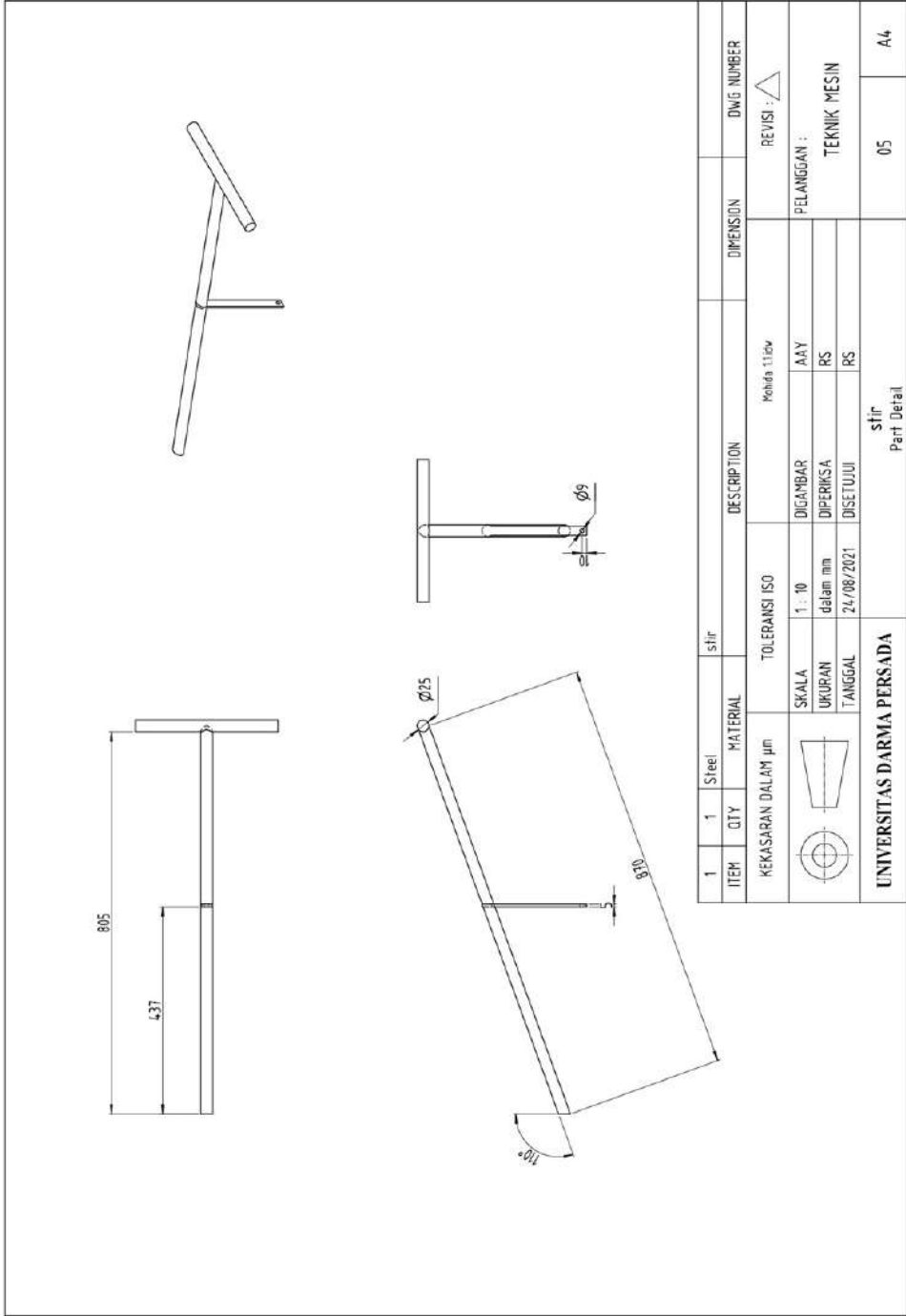
| ITEM | 1 | Fiber Composite | Body mobil | DESCRIPTION | DIMENSION | DWG NUMBER |
|---------------------------|---|-----------------|---------------|-----------------|-----------|--------------|
| KEKASARAN DALAM | 1 | μm | TOLERANSI ISO | Revisi 11.11.14 | | REVISI : |
| | | | SKALA | DIGAMBAR | | PELANGGAN : |
| | | | 1 : 25 | DIPERIKSA | | TEKNIK MESIN |
| | | | dalam mm | DISETUIJI | | |
| | | | TANGGAL | | | |
| | | | 24/08/2021 | | | |
| UNIVERSITAS DARMA PERSADA | | | Body mobil | | | |
| | | | Part Detail | | | |
| | | | 02 | | A4 | |

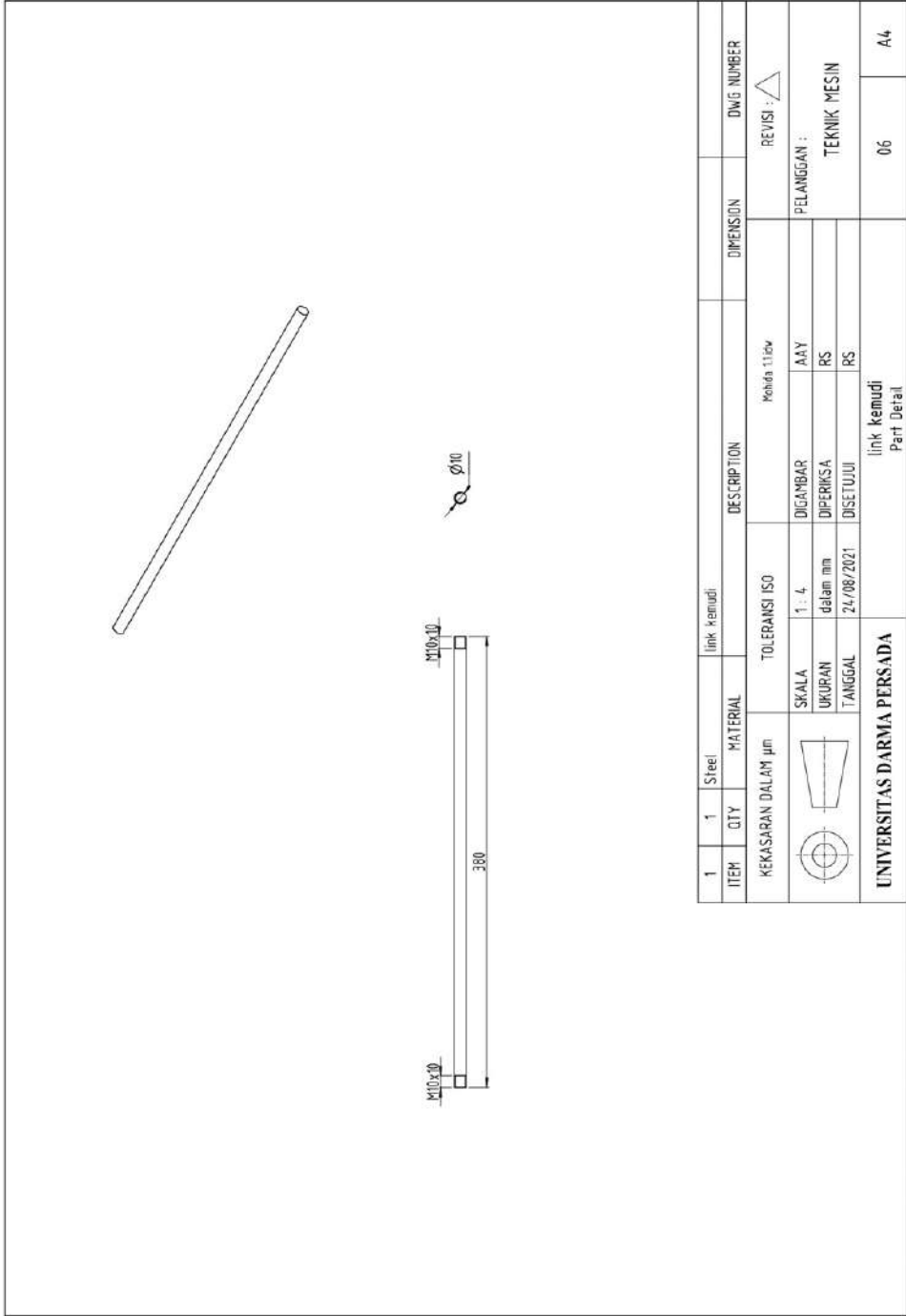


| ITEM | QTY | MATERIAL | DESCRIPTION | DIMENSION | DWG NUMBER |
|-------------------------------|-----|---------------|----------------------|--------------|------------|
| 1 | 1 | Steel | dudukan roda | | |
| KEKASARAN DALAM μm | | TOLERANSI ISO | Revisi : \triangle | | |
| | | 1 : 2 | DIGAMBAR | PELANGGAN : | |
| | | dalam mm | DIPERIKSA | TEKNIK MESIN | |
| | | TANGGAL | 24/08/2021 | RS | |
| UNIVERSITAS DARMA PERSADA | | dudukan roda | | | 03 |
| | | Part Detail | | | A4 |

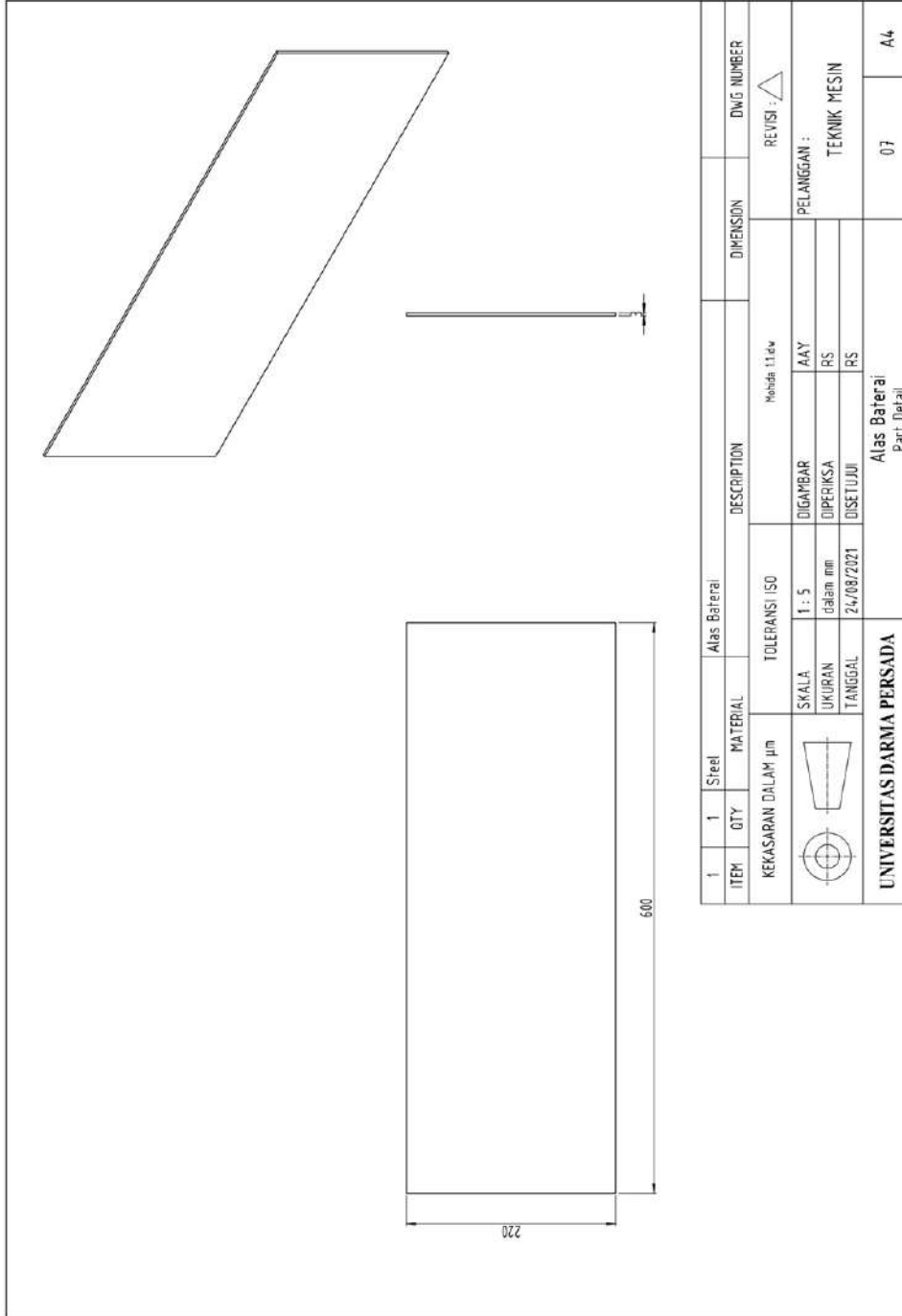


| ITEM | QTY | Steel Galvanized | bracket stir | DESCRIPTION | DIMENSION | DWG NUMBER |
|------|-----|-------------------------------|---------------|-------------|-----------|----------------------|
| 1 | 1 | Steel Galvanized | bracket stir | | | |
| | | MATERIAL | | | | |
| | | KEKASARAN DALAM μm | TOLERANSI ISO | | | REVISI : \triangle |
| | | SKALA | 1 : 2 | DIGAMBAR | | PELANGGAN : |
| | | UKURAN | dalam mm | DIPERIKSA | | TEKNIK MESIN |
| | | TANGGAL | 24/08/2021 | DISETUIJI | | |
| | | UNIVERSITAS DARMA PERSADA | bracket stir | | | |
| | | | Part Detail | | | |
| | | | | | 04 | A4 |





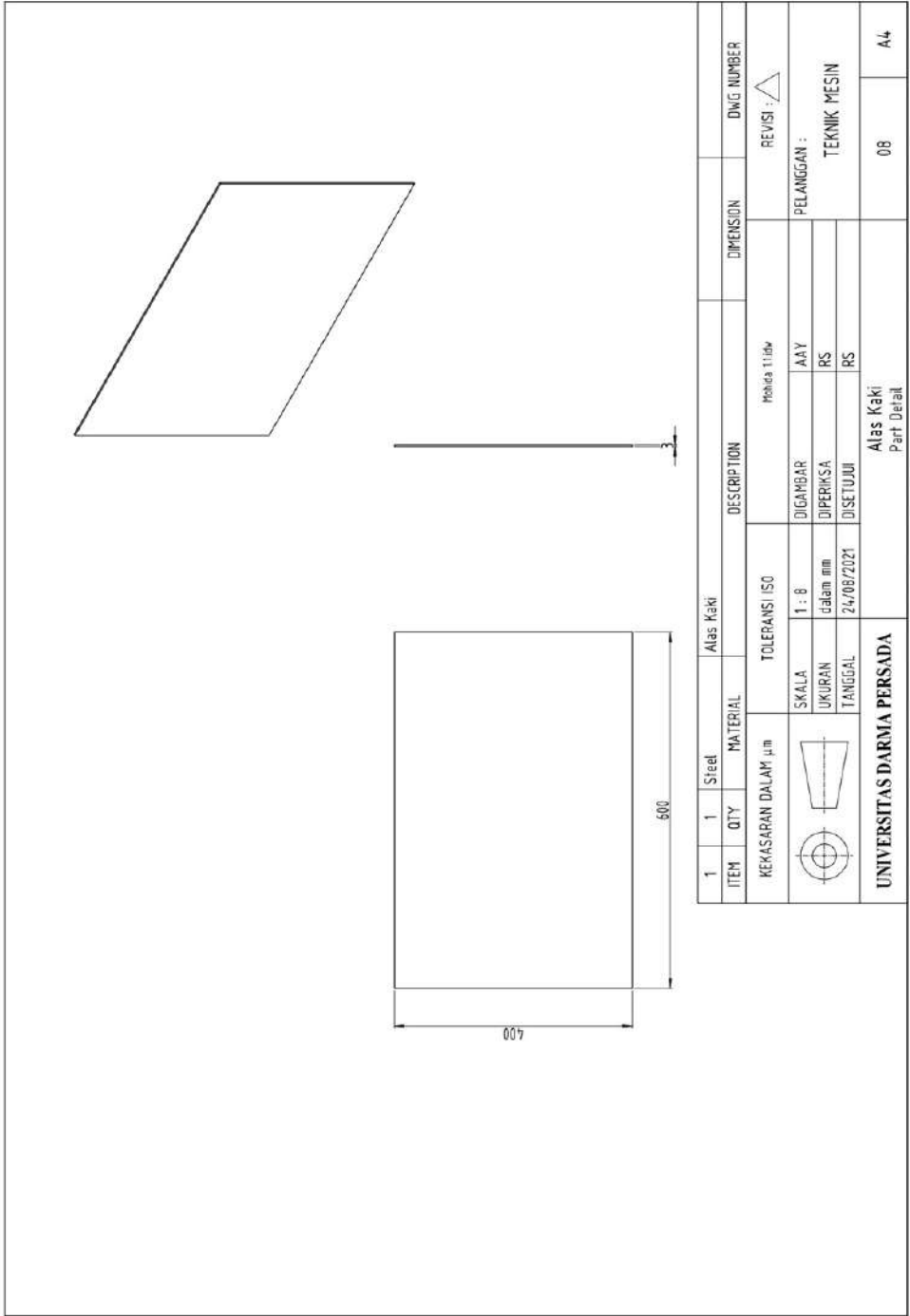
| ITEM | QTY | Steel | link kemudi | DESCRIPTION | DIMENSION | DWG NUMBER |
|---------------------------|-----|-------------|-------------|----------------------|-----------|------------|
| 1 | 1 | Steel | link kemudi | | | |
| KEKASARAN DALAM μm | | MATERIAL | | REVISI : \triangle | | |
| TOLERANSI ISO | | DIGAMBAR | | PELANGGAN : | | |
| 1 : 4 | | DIPERIKSA | | TEKNIK MESIN | | |
| dalam mm | | DISETUJUI | | | | |
| TANGGAL | | link kemudi | | 06 | | |
| 24/08/2021 | | Part Detail | | A4 | | |
| UNIVERSITAS DARMA PERSADA | | | | | | |



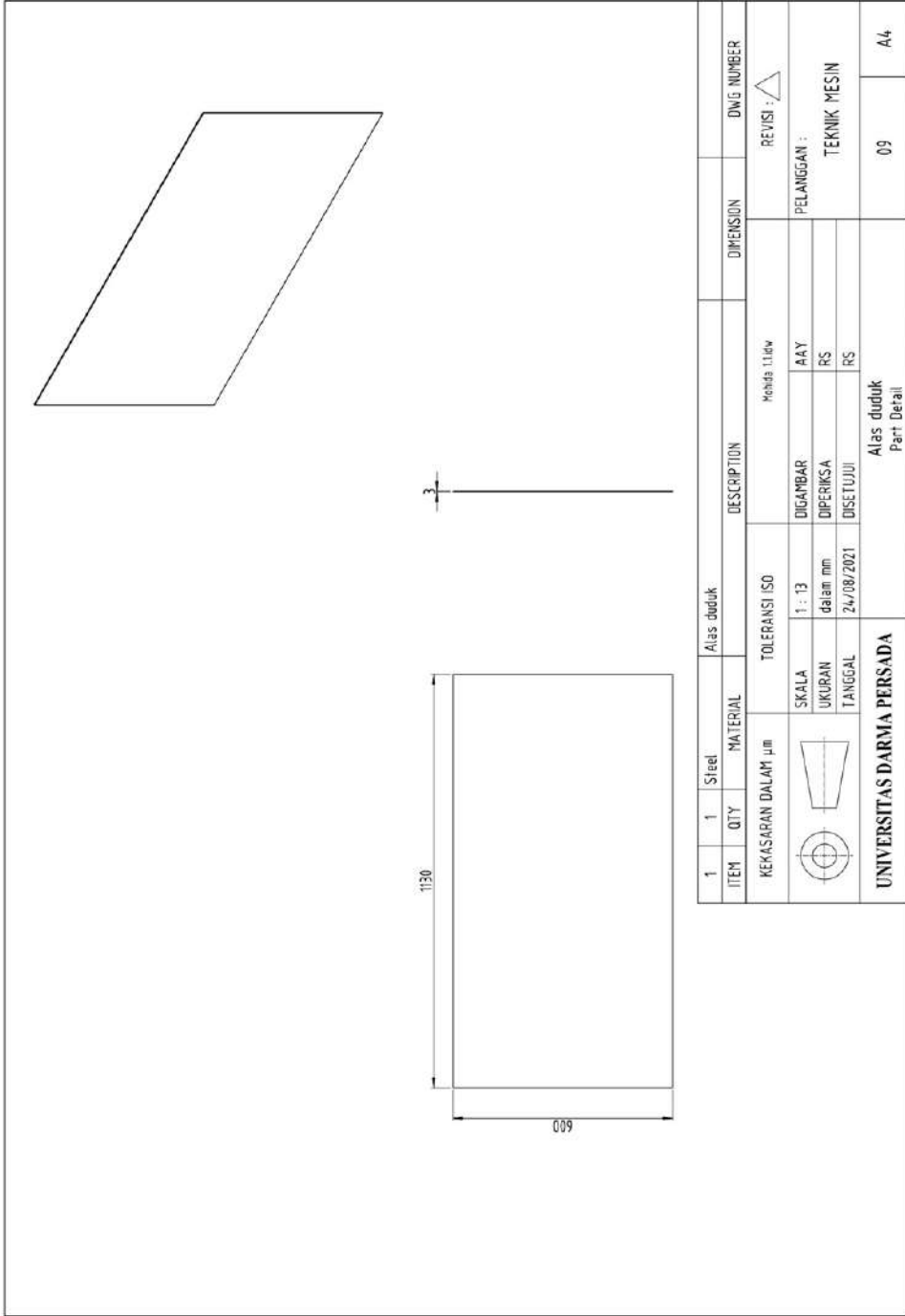
| ITEM | QTY | Steel | Alas Baterai | DESCRIPTION | DIMENSION | DWG NUMBER |
|-------------------------------|-----|------------|--------------|----------------------------------|-----------|------------|
| 1 | 1 | Steel | Alas Baterai | DESCRIPTION | | |
| KEKASARAN DALAM μm | | MATERIAL | | TOLERANSI ISO | | |
| | | | | Metode 11 dan AAY RS RS | | |
| SKALA | | 1: 5 | | DIGAMBAR | | |
| UKURAN | | dalam mm | | DIPERIKSA | | |
| TANGGAL | | 24/08/2021 | | DISETUIJI | | |
| UNIVERSITAS DARMA PERSADA | | | | Alas Baterai | | |
| | | | | Part: Detail | | |
| | | | | 07 | | A4 |

REVISI :

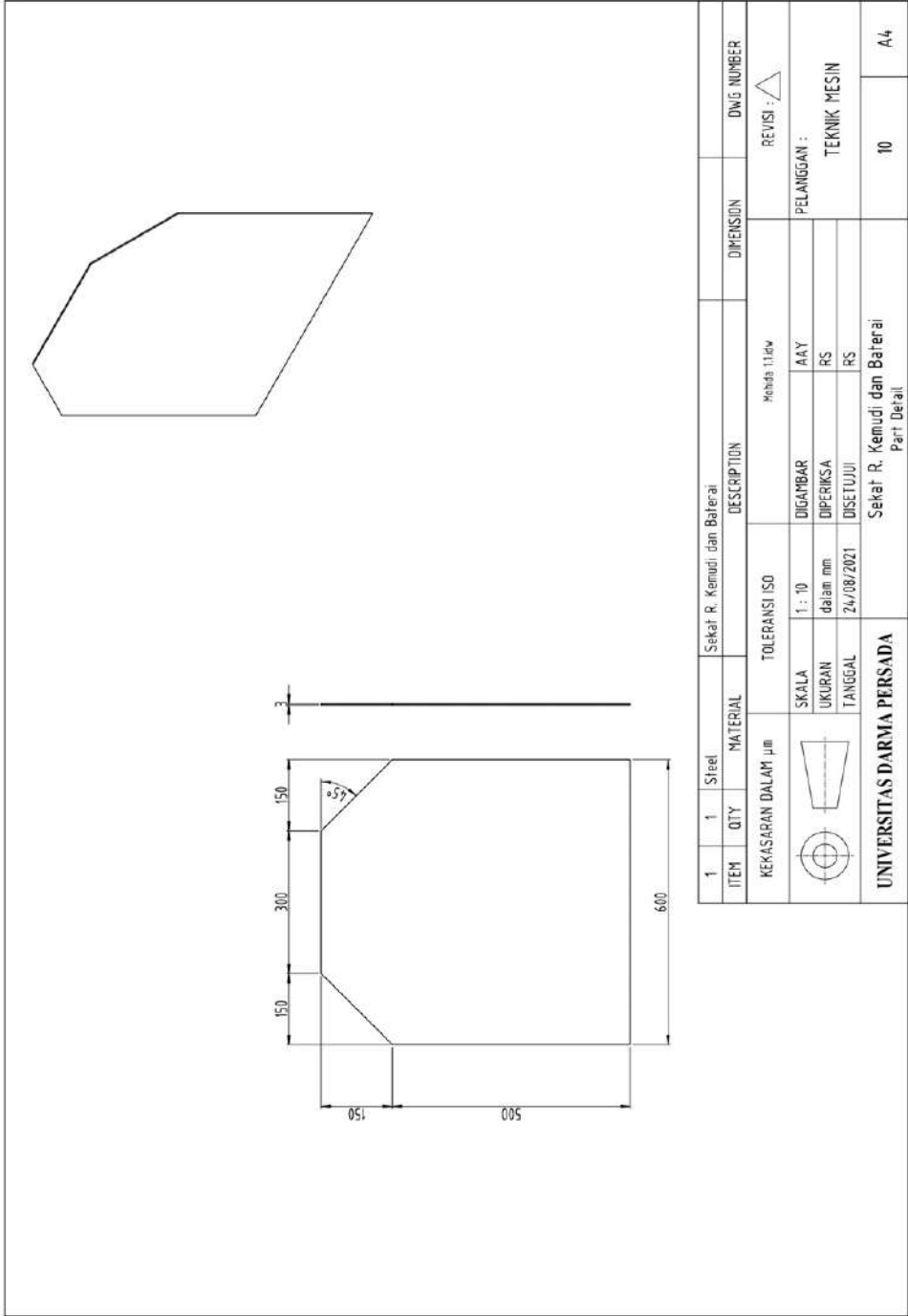
PELANGGAN :
TEKNIK MESIN



| ITEM | QTY | Steel | MATERIAL | Alas Kaki | DESCRIPTION | DIMENSION | DWG NUMBER |
|-------------------------------|-----|---------------|------------|--------------|-------------|-------------------|------------|
| 1 | 1 | Steel | | Alas Kaki | | | |
| KEKASARAN DALAM μm | | TOLERANSI ISO | | Revisi 1/1dw | | REVISI : ∇ | |
| | | SKALA | 1 : 8 | DIGAMBAR | AA Y | PELANGGAN : | |
| | | UKURAN | dalam mm | DIPERKSA | RS | TEKNIK MESIN | |
| | | TANGGAL | 24/08/2021 | DISETUJUI | RS | | |
| UNIVERSITAS DARMA PERSADA | | | | Alas Kaki | | 08 | A4 |
| | | | | Part Detail | | | |



| ITEM | QTY | Steel | MATERIAL | Alas duduk | DESCRIPTION | DIMENSION | DWG NUMBER |
|-------------------------------|-----|---------------|------------|--------------|-------------|----------------------|------------|
| 1 | 1 | Steel | | Alas duduk | | | |
| KEKASARAN DALAM μm | | TOLERANSI ISO | | Menda 11.16w | | REVISI : \triangle | |
| | | SKALA | 1 : 13 | DIGAMBAR | | PELANGGAN : | |
| | | UKURAN | dalam mm | DIPERIKSA | RS | TEKNIK MESIN | |
| | | TANGGAL | 24/08/2021 | DISETUIJI | RS | | |
| UNIVERSITAS DARMA PERSADA | | | | Alas duduk | | 09 | A4 |
| | | | | Part Detail | | | |



| ITEM | QTY | Steel | MATERIAL | Sekat R. Kemudi dan Baterai | DESCRIPTION | DIMENSION | DWG NUMBER |
|--------------------------------|-----|-------|----------|-----------------------------|-------------|-----------|------------|
| 1 | 1 | Steel | MATERIAL | Sekat R. Kemudi dan Baterai | DESCRIPTION | DIMENSION | DWG NUMBER |
| KEKASARAN DALAMI μm | | | | TOLERANSI ISO | | | |
| | | | | | | | |
| SKALA | | | | DIGAMBAR | | | |
| 1 : 10 | | | | dalam mm | | | |
| UKURAN | | | | DIPERIKSA | | | |
| TANGGAL | | | | DISETUIJI | | | |
| 24/08/2021 | | | | RS | | | |
| UNIVERSITAS DARMA PERSADA | | | | Sekat R. Kemudi dan Baterai | | | |
| | | | | Part Detail | | | |
| | | | | 10 | | | |
| | | | | A4 | | | |