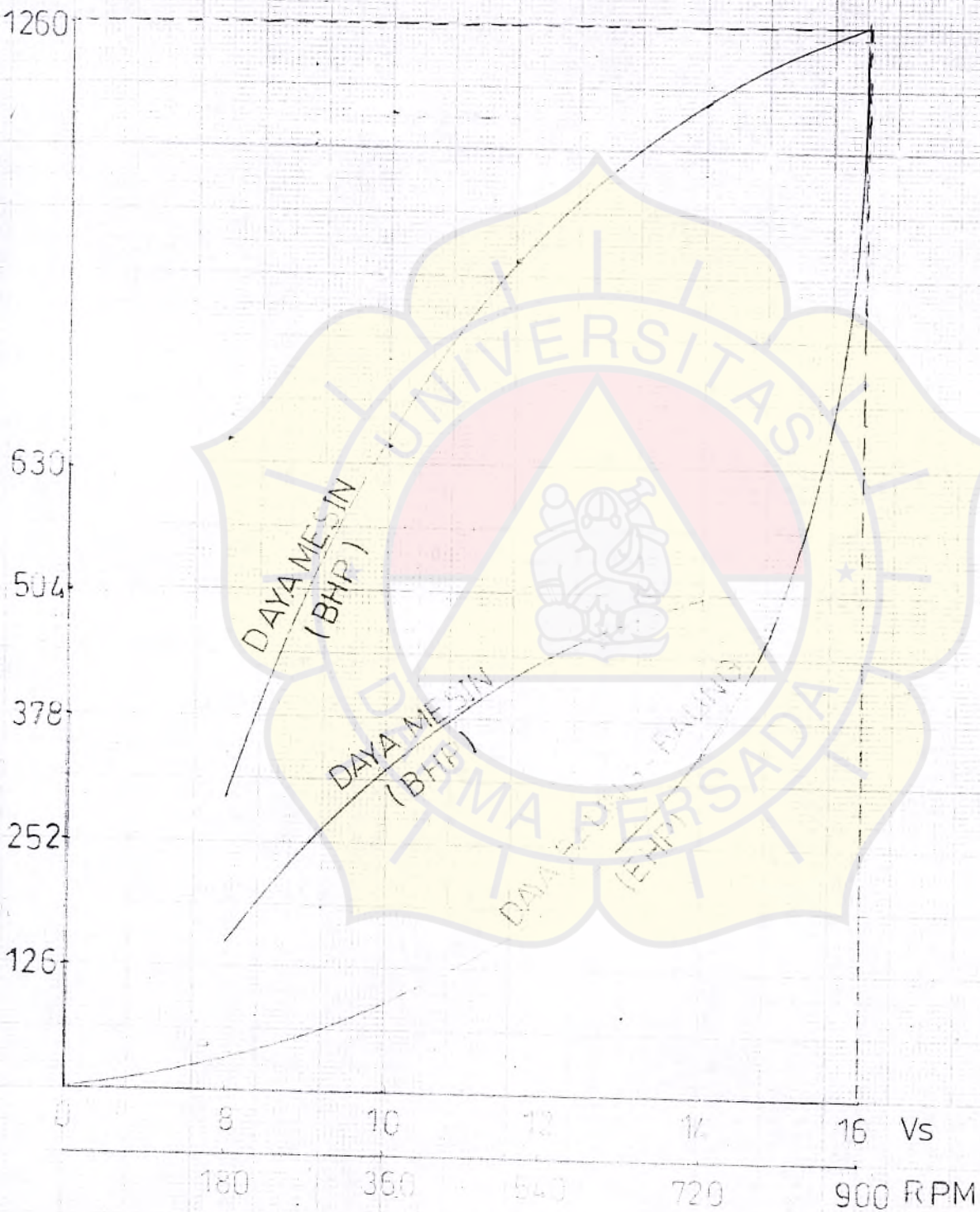


KURVA DAYA MESIN DAN KURVA BALING-BALING



1:20

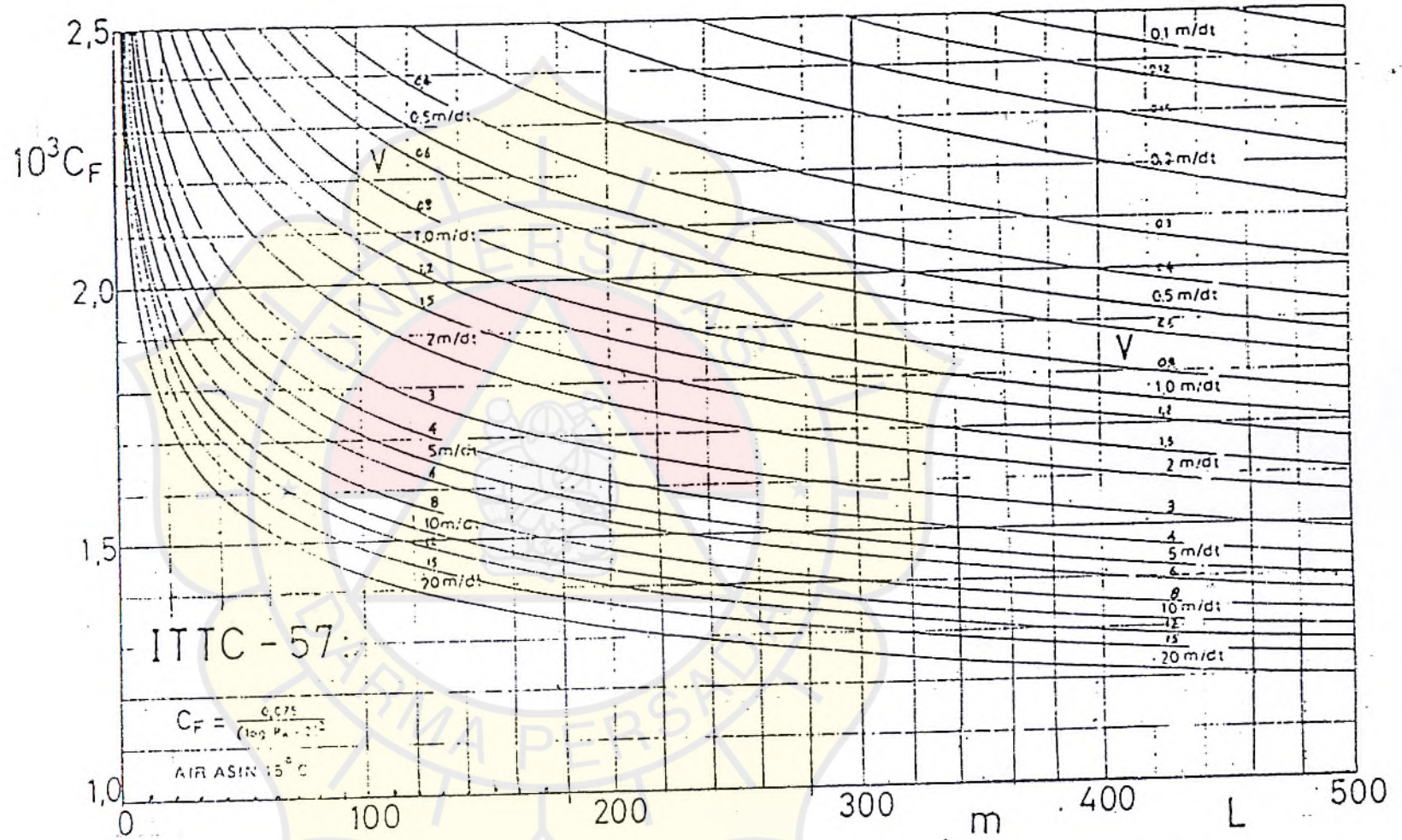
Anchor, Chain cable & Ropes

Table 18.2 Anchor, Chain Cables and Ropes

No. for Page	Equipment numeral Z	Stockless anchor			Stud link chain cables							Recommended ropes				
		Flower anchor		Stream anchor	Lower anchors				Stream wire or chain for stream anchor			Towline		Mooring ropes		
		Number	Mass per anchor [kg]		Total length [m]	Diameter			Length [m]	Dr. load [kN]	Length [m]	Dr. load [kN]	Number	Length [m]	Dr. load [kN]	
				d ₁ [mm]		d ₂ [mm]	d ₃ [mm]									
1	2	3	4	5	6	7	8	9	10	11	12	13	14	15	16	
101	up to - 50	2	120	40	165	12.5	12.5	12.5	40	65	180	100	3	80	35	
102	50 - 70	2	140	60	220	14	12.5	12.5	40	65	180	100	3	80	35	
103	70 - 90	2	240	80	220	16	14	14	45	75	180	100	3	100	40	
104	90 - 110	2	300	100	217.5	17.5	16	16	45	80	180	100	3	110	40	
105	110 - 130	2	350	120	217.5	19	17.5	17.5	50	90	180	100	3	110	45	
106	130 - 150	2	420	140	275	20.5	17.5	17.5	50	100	180	100	3	120	50	
107	150 - 175	2	480	165	175	22	19	19	50	110	180	100	3	120	55	
108	175 - 205	2	570	190	302.5	24	20.5	20.5	50	120	180	110	3	120	60	
109	205 - 240	3	780	260	302.5	26	22	20.5	50	120	180	130	4	120	65	
110	240 - 280	3	780	260	330	28	24	22	50	120	180	150	4	120	70	
111	280 - 320	3	990	357.5	30	26	24	24	50	120	180	175	4	110	80	
112	320 - 360	3	1920	357.5	32	28	24	24	50	120	180	200	4	110	85	
113	360 - 420	3	1140	385	34	30	26	26	50	120	180	225	4	110	95	
114	420 - 450	3	1270	385	36	32	28	28	50	120	180	250	4	110	100	
115	450 - 500	3	1440	412.5	38	34	30	30	50	120	180	275	4	140	110	
116	500 - 550	3	1570	440	40	34	30	32	50	120	190	305	4	160	120	
117	550 - 600	3	1710	467.5	42	36	32	32	50	120	190	340	4	160	130	
118	600 - 650	3	1920	440	44	38	34	34	50	120	190	370	4	160	145	
119	650 - 720	3	2100	467.5	48	40	36	36	50	120	190	405	4	160	160	
120	720 - 780	3	2280	467.5	50	44	36	38	50	120	190	440	4	170	170	
121	780 - 840	3	2450	467.5	52	46	40	40	50	120	190	480	4	170	185	
122	840 - 910	3	2640	467.5	54	48	42	42	50	120	190	520	4	170	200	
123	910 - 950	3	2850	495	56	50	44	44	50	120	200	560	4	180	215	
124	950 - 1050	3	3060	495	58	50	46	46	50	120	200	600	4	180	230	
125	1050 - 1140	3	3390	522.5	60	52	48	48	50	120	200	645	4	180	250	
126	1140 - 1220	3	3540	522.5	62	54	48	48	50	120	200	690	4	180	270	
127	1220 - 1300	3	3780	522.5	64	56	50	50	50	120	200	740	4	180	285	
128	1300 - 1390	3	4150	522.5	66	58	52	52	50	120	200	785	4	180	305	
129	1390 - 1480	3	4320	550	68	60	50	50	50	120	200	835	4	180	325	
130	1480 - 1570	3	4590	550	70	62	54	54	50	120	220	870	5	190	335	
131	1570 - 1670	3	4870	577.5	72	64	56	56	50	120	220	940	5	190	355	
132	1670 - 1790	3	5250	577.5	76	66	58	58	50	120	230	1025	5	190	350	
133	1790 - 1930	3	5610	577.5	78	68	60	60	50	120	230	1110	5	190	375	
134	1930 - 2080	3	6090	605	81	70	62	62	50	120	230	1200	5	190	400	
135	2080 - 2230	3	6450	605	84	73	64	64	50	120	230	1295	5	200	425	
136	2230 - 2380	3	6900	605	87	76	66	66	50	120	240	1385	5	200	450	
137	2380 - 2530	3	7350	632.5	90	78	68	68	50	120	260	1475	5	200	480	
138	2530 - 2700	3	7800	632.5	92	81	70	70	50	120	260	1570	6	200	480	
139	2700 - 2870	3	8300	632.5	95	84	73	73	50	120	260	1670	6	200	490	
140	2870 - 3040	3	8700	660	97	87	76	76	50	120	280	1770	6	200	500	
141	3040 - 3210	3	9300	660	100	90	78	78	50	120	280	1870	6	200	520	
142	3210 - 3400	3	9900	660	102	90	78	78	50	120	280	1970	6	200	555	
143	3400 - 3600	3	10500	687.5	105	92	81	81	50	120	280	2070	6	200	590	
144	3600 - 3800	3	11100	687.5	107	95	84	84	50	120	300	2170	6	200	620	
145	3800 - 4000	3	11700	687.5	111	97	87	87	50	120	300	2270	6	200	650	
146	4000 - 4200	3	12300	715	114	100	90	90	50	120	300	2370	7	200	680	
147	4200 - 4400	3	12900	715	117	102	90	90	50	120	300	2470	7	200	700	
148	4400 - 4600	3	13500	715	120	105	92	92	50	120	300	2570	7	200	720	
149	4600 - 4800	3	14100	742.5	122	107	95	95	50	120	300	2670	7	200	750	
150	4800 - 5000	3	14700	742.5	124	111	97	97	50	120	300	2770	8	200	780	
151	5000 - 5200	3	15300	742.5	127	114	97	97	50	120	300	2870	8	200	810	
152	5200 - 5500	3	16100	770	127	117	100	100	50	120	300	2970	8	200	840	
153	5500 - 5800	3	16900	770	130	117	100	100	50	120	300	3070	8	200	870	
154	5800 - 6100	3	17800	770	132	117	107	107	50	120	300	3170	9	200	900	
155	6100 - 6500	3	18800	770	137	122	111	111	50	120	300	3270	9	200	930	
156	6500 - 6700	3	19000	770	137	122	111	111	50	120	300	3370	10	200	960	
157	6700 - 7400	3	21500	770	142	127	117	117	50	120	300	3470	11	200	990	
158	7400 - 7700	3	23000	770	147	132	122	122	50	120	300	3570	11	200	1020	
159	7700 - 8000	3	24500	770	152	137	127	127	50	120	300	3670	12	200	1050	
160	8000 - 8700	3	26000	770	157	142	132	132	50	120	300	3770	12	200	1080	
161	8700 - 9400	3	27500	770	162	147	137	137	50	120	300	3870	13	200	1110	
162	9400 - 10000	3	29000	770	167	152	142	142	50	120	300	3970	13	200	1140	
163	10000 - 10700	3	31000	770	172	157	147	147	50	120	300	4070	14	200	1170	
164	10700 - 11300	3	33000	770	177	162	152	152	50	120	300	4170	14	200	1200	
165	11300 - 12000	3	35000	770	182	167	157	157	50	120	300	4270	15	200	1230	
166	12000 - 12700	3	37000	770	187	172	162	162	50	120	300	4370	16	200	1260	
167	12700 - 13400	3	39000	770	192	177	167	167	50	120	300	4470	17	200	1290	
168	13400 - 14000	3	41000	770	197	182	172	172	50	120	300	4570	18	200	1320	
169	14000 - 16000	3	46000	770	207	187	177	177	50	120	300	4670	19	200	1350	

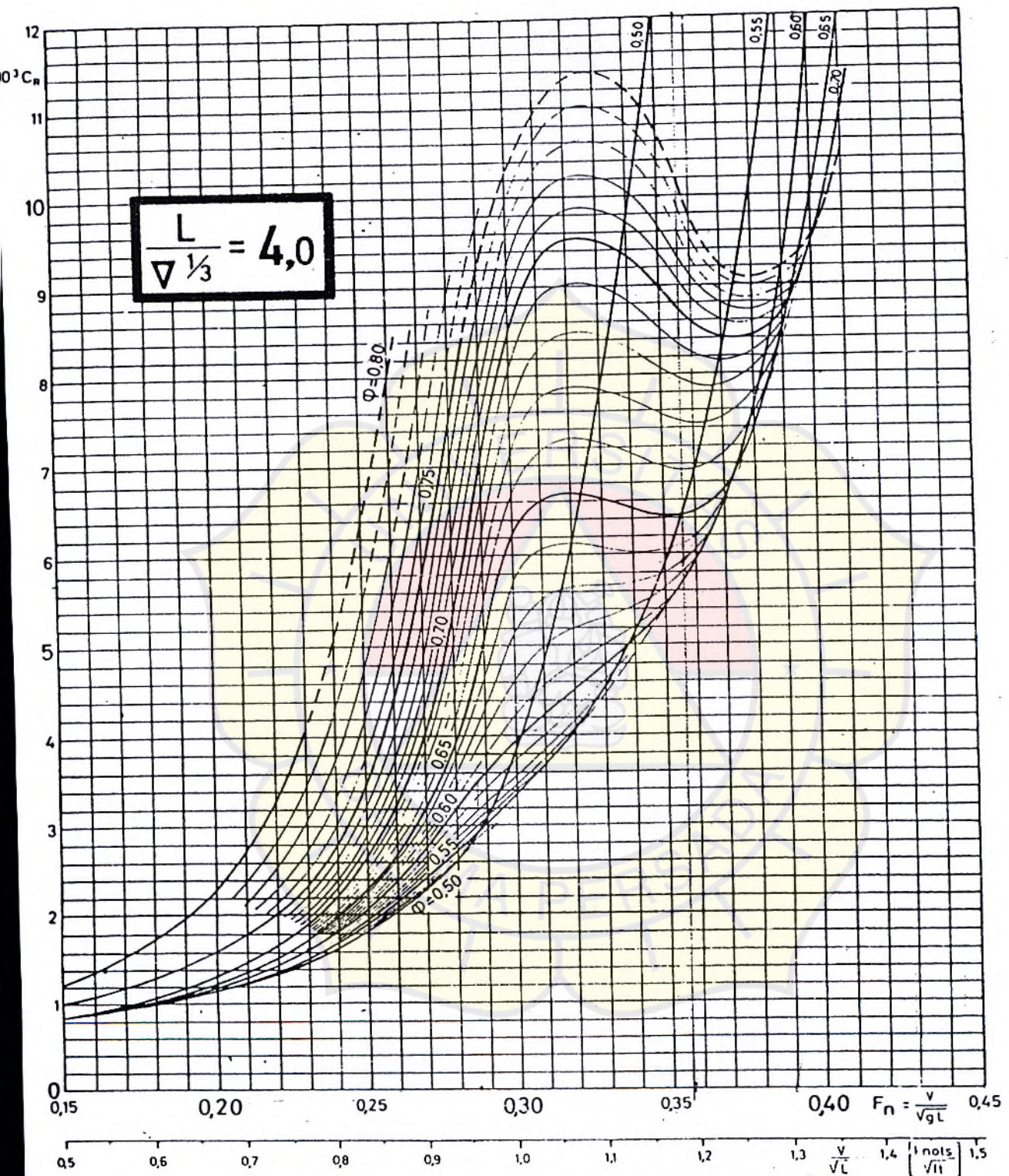
d₁ - Chain diameter Grade K 1 (Ordinary quality)
 d₂ - Chain diameter Grade K 2 (Special quality)
 d₃ - Chain diameter Grade K 3 (Extra special quality)

See also D

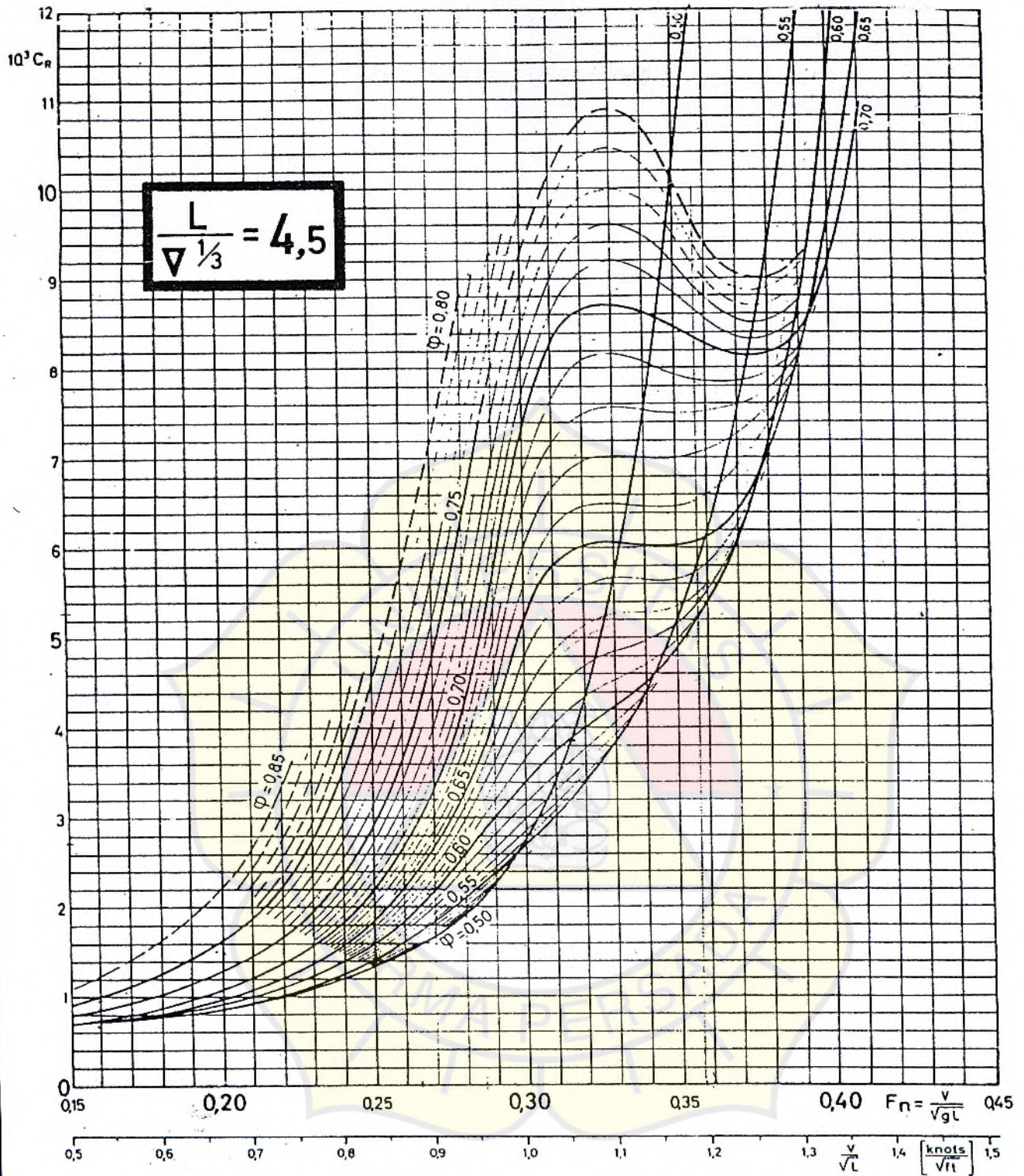


Gambar 5.5.14. Koefisien tahanan gesek C_F (menurut ITTC 1957) sebagai fungsi panjang kapal L dan kecepatan V .

PENENTUAN TAHANAN KAPAL



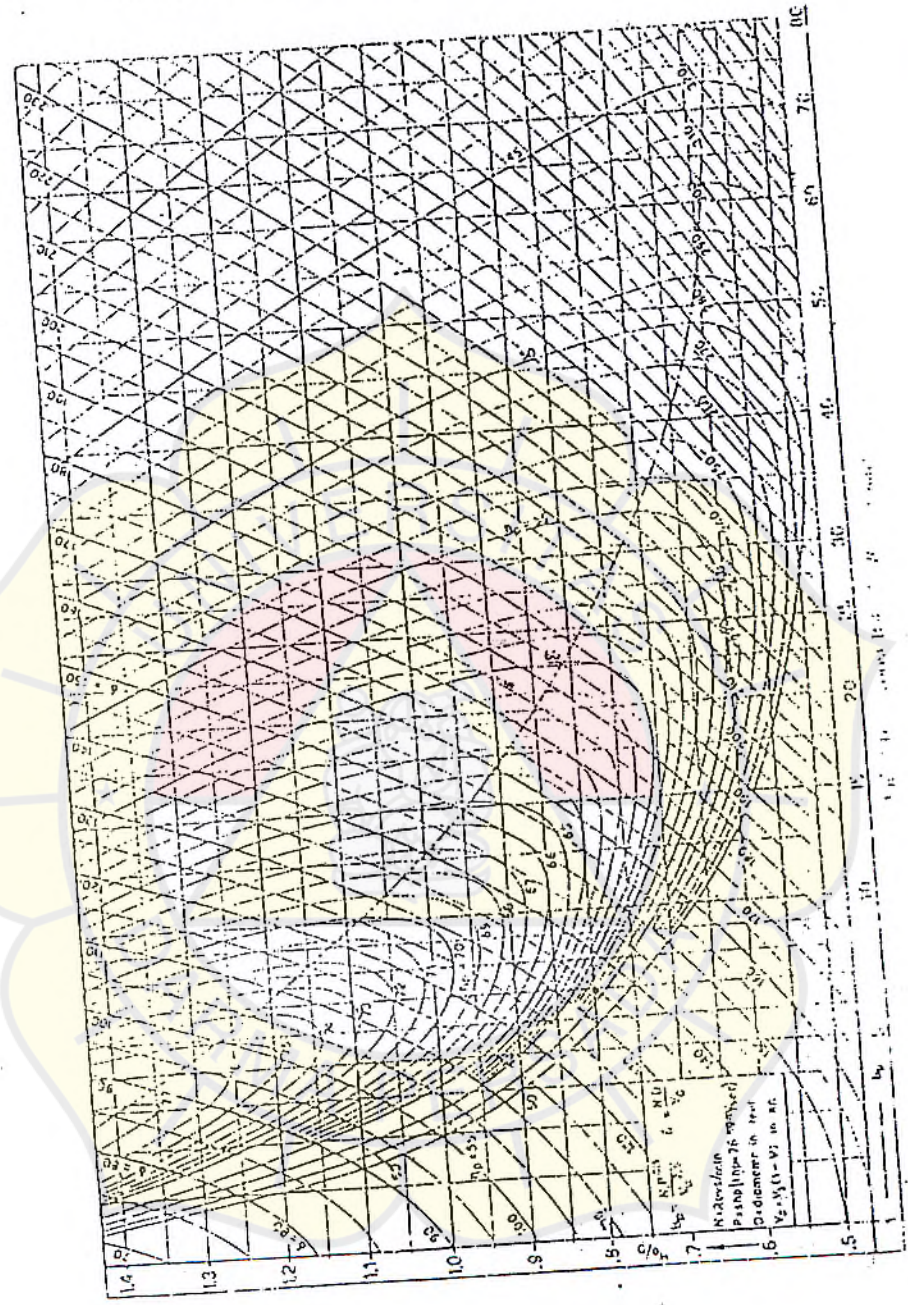
Gambar 5.5.5. Koefisien tahanan sisa terhadap rasio kecepatan-panjang untuk harga koefisien prismatik longitudinal yang berbeda-beda. $L/\Delta^{1/3} = 4,0$.

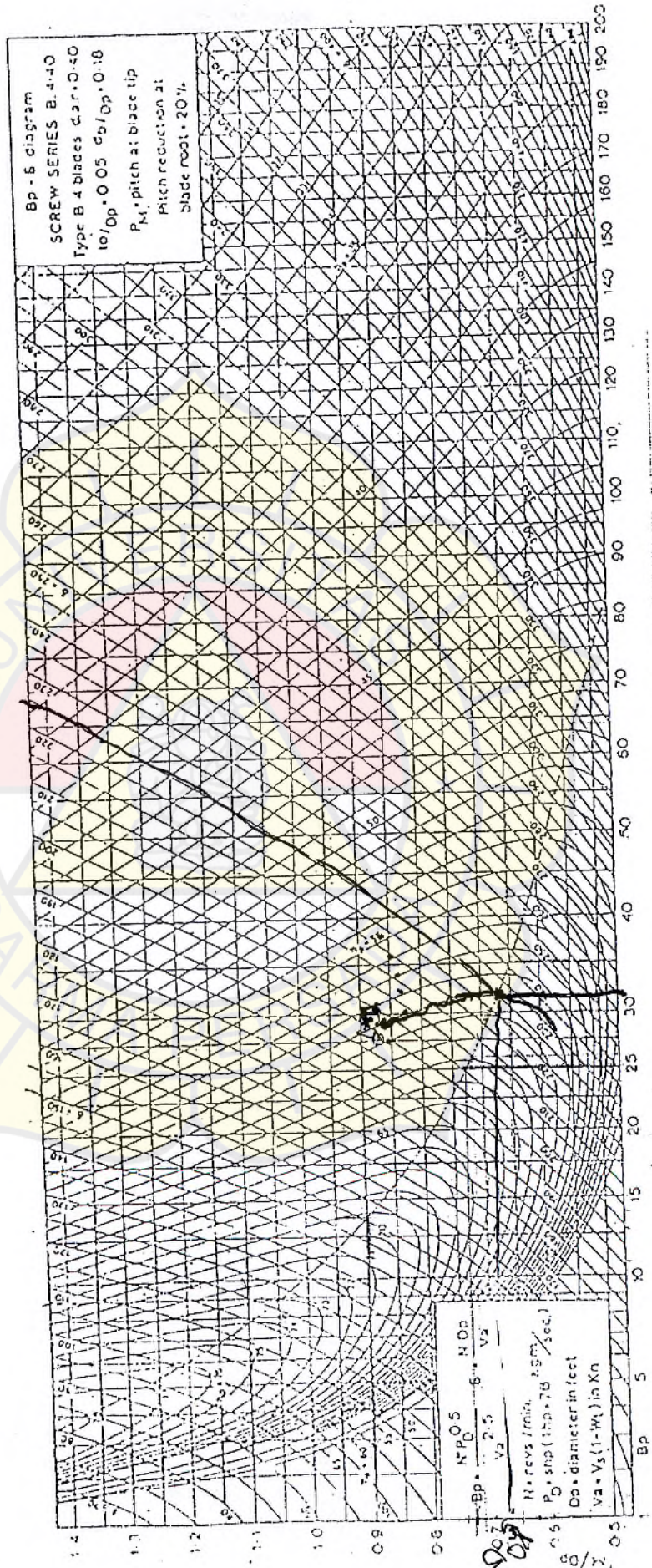


Gambar 5.5.6. Koefisien tahanan sisa terhadap rasio kecepatan-panjang untuk harga koefisien prismatik longitudinal yang berbeda-beda. $L/\Delta^{1/3} = 4,5$.

no 1

METHODICAL SERIES DATA AND DESIGN CHARTS





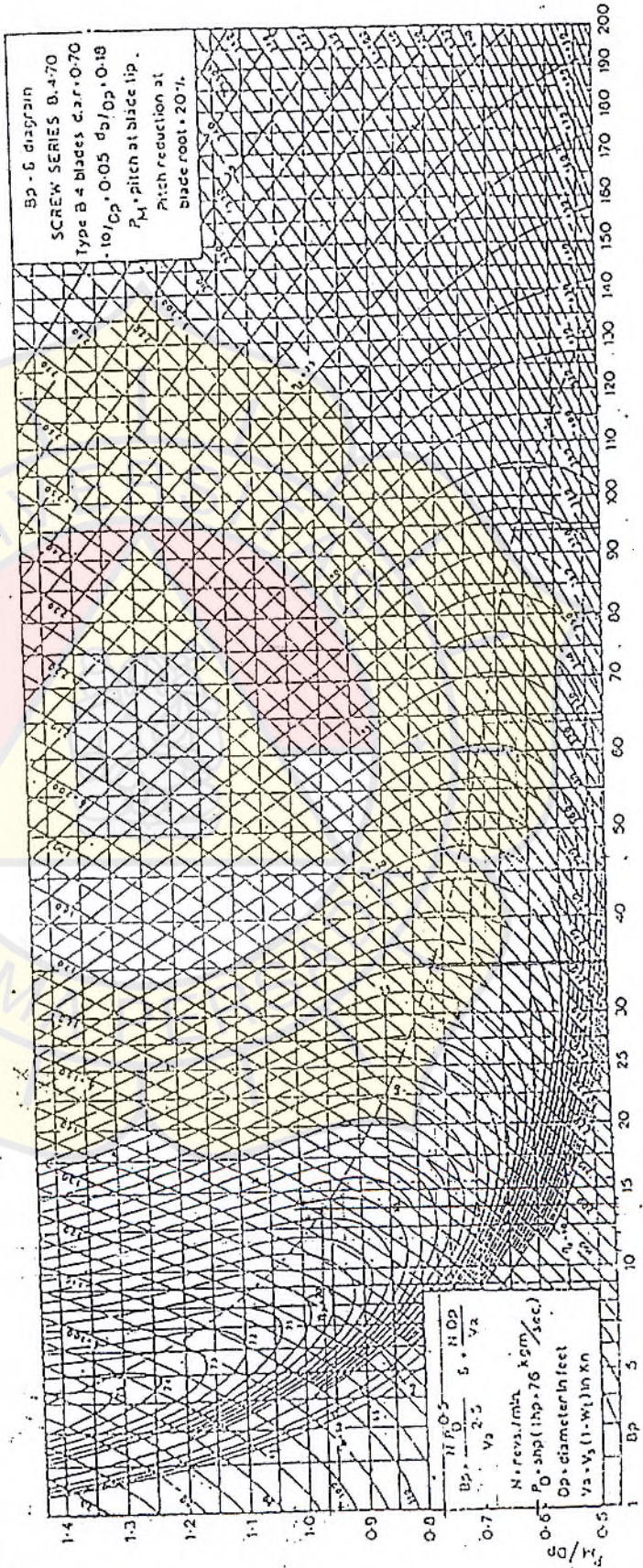
$Bp = 2.28$

$2/2.54$
 1.27
 2

10.1907

Lamp. 3.

$H/10 = 0.97$
 $m_p = 6515$
 $\delta = 145$



STANDART UKURAN SEKOCI BERMOTOR :

L	E	H	Kapasitas	Jumlah orang	Berat sekoci dari kayu	Berat sekoci dari plat	Berat motor	Berat perlengkapan	Berat total
8,00	2,60	1,16	14,5	34	1700	1900	820	420	2550
8,50	2,60	1,16	15,4	33	1800	2100	820	430	2925
9,00	2,70	1,22	17,8	46	1900	2300	670	510	3450
9,50	2,80	1,22	19,4	50	2100	2500	1120	530	3750

STANDART UKURAN SEKOCI KERJA

L	D	H	Kapasitas	Jumlah orang	Berat penumpang	Berat perlengkapan	Berat sekoci	Berat total
3,60	1,55	0,6	2,0	4	300	60	300	660
3,80	1,65	0,66	2,5	5	375	60	360	795
4,00	1,75	0,70	3,0	6	450	60	420	930
4,50	1,80	0,78	3,5	7	525	70	450	1045
5,00	1,85	0,72	4,0	8	600	70	500	1170
5,50	1,90	0,75	4,7	9	675	80	600	1355
6,00	2,00	0,80	5,8	11	825	80	700	1605

SKOCI

L 20/27
V 20/27

L 32/40
V 32/40

No. of cyl.	Continuous rating P MCR and heavy fuel operation		Dimensions mm			Weight** tons
	n (1/min)	900	LxLx2	W	H	
5 L	530 680	450 610	2700 1710	1350	1800	5.0
6 L	600 815	540 730	3000 2000	1350	1900	5.9
7 L	700 950	630 855	3300 2450	1350	1950	6.6
8 L	800 1090	720 980	3550 2730	1350	2150	7.4
9 L	900 1225	810 1100	3800 3010	1350	2150	8.0
12 V	1300 1630	1080 1470	3600 3400	1510	2600	10.6
14 V	1400 1900	1260 1715	3850 3800	1510	2750	11.8
16 V	1600 2180	1440 1960	4300 4150	1510	2750	13.1
18 V	1800 2450	1620 2200	4650 4500	1510	2750	14.4

No. of cyl.	Continuous rating P MCR and heavy fuel operation		Dimensions mm			Weight** tons
	n (1/min)	720	LxLx2	W	H	
5 L	2200 3000	2200 3000	5095 3500	2100	3890	3.3
6 L	2640 3600	2640 3600	5625 4480	2100	3890	3.8
7 L	3080 4200	3080 4200	6135 5010	2570	4410	4.2
8 L	3520 4800	3520 4800	6685 5540	2570	4410	4.7
9 L	3960 5400	3960 5400	7215 6070	2570	4410	5.2
12 V	5280 7200	5280 7200	8250 5100	3100	3900	6.1
14 V	6180 8400	6180 8400	7100 5750	3100	4200	7.0
16 V	7040 9600	7040 9600	7750 6400	3100	4200	7.8
18 V	7920 10800	7920 10800	8400 7000	3100	4200	8.6

Bore (mm)	Stroke (mm)	Fuel consumption (to ISO conditions):*		kW/cyl (hp/cyl)	Pcyl (bar)	cm (m/s)
		100% P	85% P			
200	270	MCR	MCR	1000	100 (136)	14.15
				500	30 (128)	6.1

Bore (mm)	Stroke (mm)	Fuel consumption (to ISO conditions):*		kW/cyl (hp/cyl)	Pcyl (bar)	cm (m/s)
		100% P	85% P			
320	400	MCR	MCR	750	440 (600)	22.8
				720	440 (600)	9.6

L 20/27 V 20/27	Fuel consumption (to ISO conditions):*		Lube oil consumption: approx.
	MCR	100% P	
	200 g/kWh	147 g/HPH	1.3 g/kWh
	198 g/kWh	146 g/HPH	0.8 g/HPH

L 32/40 V 32/40	Fuel consumption (to ISO conditions):*		Lube oil consumption: approx.
	MCR	100% P	
	182 g/kWh	134 g/HPH	1.0 g/kWh
	181 g/kWh	133 g/HPH	0.7 g/HPH

* Definitions see page 4/5

* Definitions see page 4/5

Notes Fuel cost saving Standard rating values gensets 28/32 A-VO Standard rating values gas engines 28/32 SI 23/30 A-RV 28/32 H 32/40 16/24 23/30 H 32/40 DG 48/60 DG 55/54 23/27 DG 40/54 48/60 20/27 32/40

LAAL

Engine output
243-669 kW (330-910 PS)

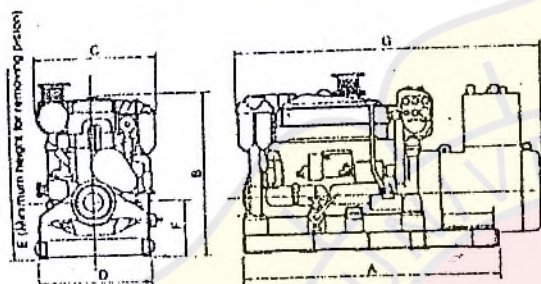
Specifications

Engine model	6LAAL-UTN				12LAAL-DTN		12LAAL-UTN		
No. of cylinders	6				V12				
Cylinder bore x stroke	148x165				148x165				
Continuous rated output	243 (330)	265 (360)	309 (420)	353 (480)	530 (720)	618 (840)	574 (780)	669 (910)	
Engine speed	1200	1200	1500	1800	1500	1800	1500	1800	
Generator capacity	220	240	280	320	480	560	520	600	
Starting system	Electric starting (Air-motor starting is available.)				Electric starting (Air-motor starting is available.)				
Dry weight	1990				2050		3660		3680

The engine dry weight may differ depending upon the specifications and attached accessories.

Dimensions (Units: mm)

Depending on the specifications or options that have been chosen, your model may differ slightly from the one in the photograph.



Engine model	6LAAL-DTN	6LAAL-UTN		12LAAL-DTN	12LAAL-UTN
Engine speed (rpm)	1200	1200	1500 1800	1500 1800	1500 1800
A	2340	2530	2340	2900	2900
B	1469	1469		1610	1610
C	1061	1061		1452	1452
D	1000	1000		1080	1080
E	1414	1414		1315	1315
F	489	489		640	640
G	2725	2785	2828	3544	3544
Dry weight of generating equipment (kg)	3380	3710	3620	6400	6400

Please confirm all specifications, etc. on the separate delivery specifications sheet.

4HAL2 / 6HAL2

Engine output
72-305 kW (98-414 PS)

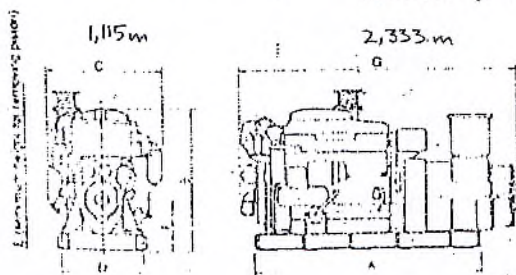
Specifications

Engine model	4HAL2-TN1						4HAL2-TN			6HAL2-R			6HAL2-TN			6HAL2-HTN			6HAL2-DTN		
No. of cylinders	4						4			6			6			6			6		
Cylinder bore x stroke	130x165						130x165			130x165			130x165			130x165			130x165		
Continuous rated output	72 (98)	89 (121)	116 (157)	90 (122)	115 (156)	135 (183)	90 (122)	115 (156)	135 (183)	120 (163)	150 (204)	180 (244)	160 (217)	220 (299)	265 (360)	200 (271)	255 (346)	301 (414)	200 (271)	255 (346)	301 (414)
Engine speed	1200	1500	1800	1200	1500	1800	1200	1500	1800	1200	1500	1800	1200	1500	1800	1200	1500	1800	1200	1500	1800
Generator capacity	64	80	104	80	100	120	80	100	120	104	136	160	144	200	240	180	232	284	180	232	284
Starting system	Electric starting (Air-motor starting is available.)																				
Dry weight	1030						1030			1380			1395			1410			1420		

The engine dry weight may differ depending upon the specifications and attached accessories.

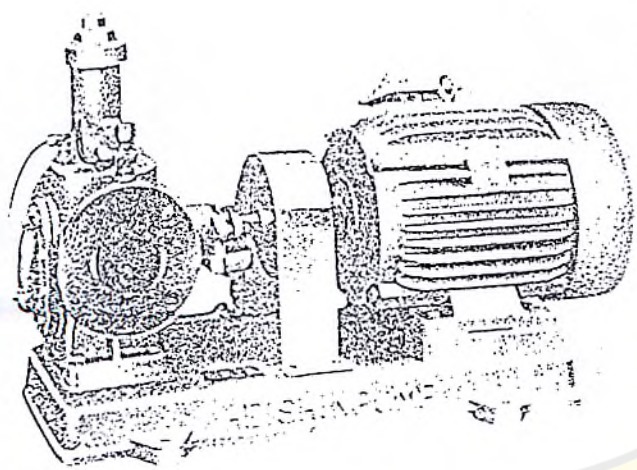
Dimensions (Units: mm)

Depending on the specifications or options that have been chosen, your model may differ slightly from the one in the photograph.



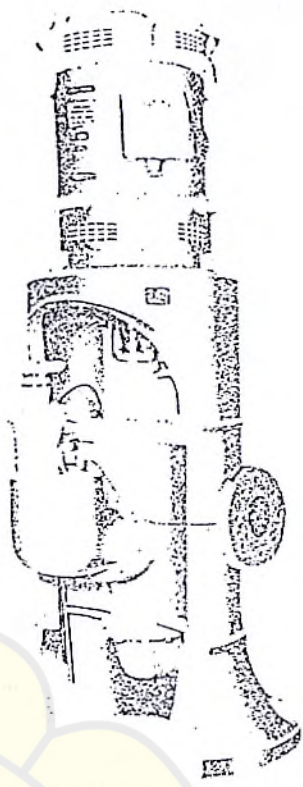
Engine model	4HAL2-TN1		4HAL2-TN		6HAL2-R		6HAL2-TN		6HAL2-HTN		6HAL2-DTN	
Engine speed (rpm)	1200	1500	1200	1500	1200	1500	1200	1500	1200	1500	1200	1500
A	1600	1600	1970	1970	1910	2050	2150	2150	2150	2150	2150	2150
B	1206	1206	1285	1285	1351	1351	1351	1351	1351	1351	1351	1351
C	1013	1013	1115	1115	1115	1115	1115	1115	1115	1115	1115	1115
D	800	800	800	800	800	800	800	800	800	800	800	800
E	1233	1233	1268	1268	1268	1268	1268	1268	1268	1268	1268	1268
F	450	450	485	485	485	485	485	485	485	485	485	485
G	2011	2011	2047	2047	2115	2115	2184	2184	2675	2675	2682	2692
Dry weight of generating equipment (kg)	1750	1200	1310	1520	2180	2190	2290	2340	2630	2680	2750	2790

Please confirm all specifications, etc. on the separate delivery specifications sheet.



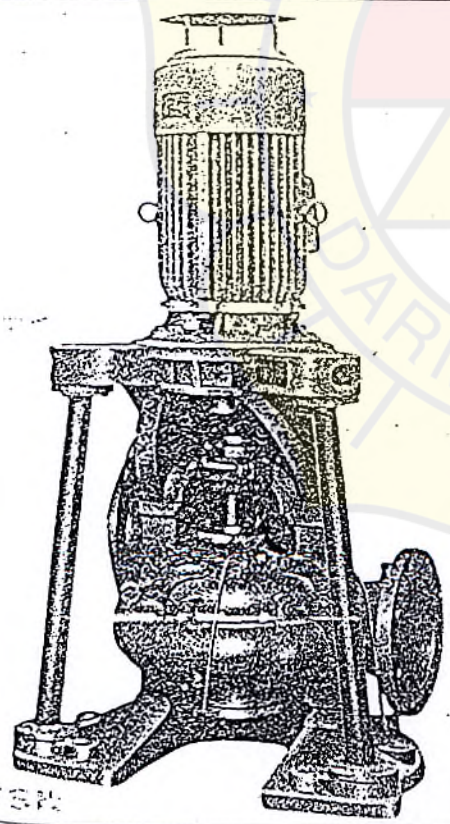
Horizontal Gear Type

Service : Fuel Oil Burning, Booster, etc.
 Bore : 32 to 100 m/m
 Capacity : 1 to 30 m³/h Head : 5 to 16 Kg/cm²



Vertical Gear Type

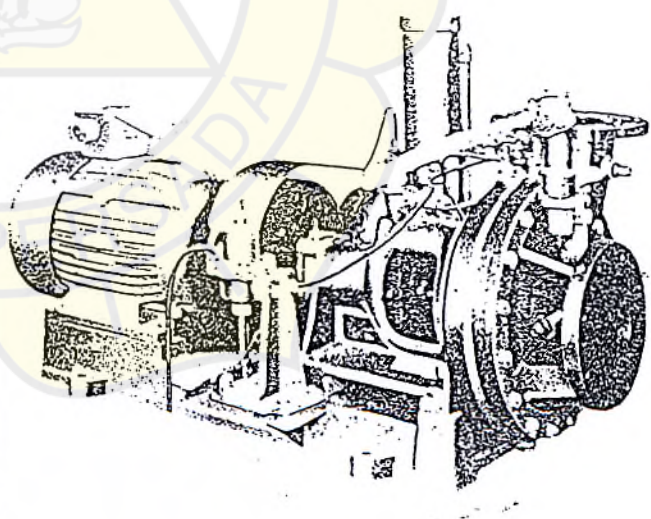
Service : Fuel or Lubricating Oil Transfer, etc.
 Bore : 100 to 150 m/m
 Capacity : 20 to 125 m³/h Head : 2 to 5.5 Kg/cm²



VK.VSK

Vertical Single Stage Single Suction Centrifugal Type

Service : Fresh or-Sea Water Cooling, Sea Water Service, etc.
 Bore : 100 to 250 m/m
 Capacity : 25 to 400 m³/h Head : 15 to 70 m

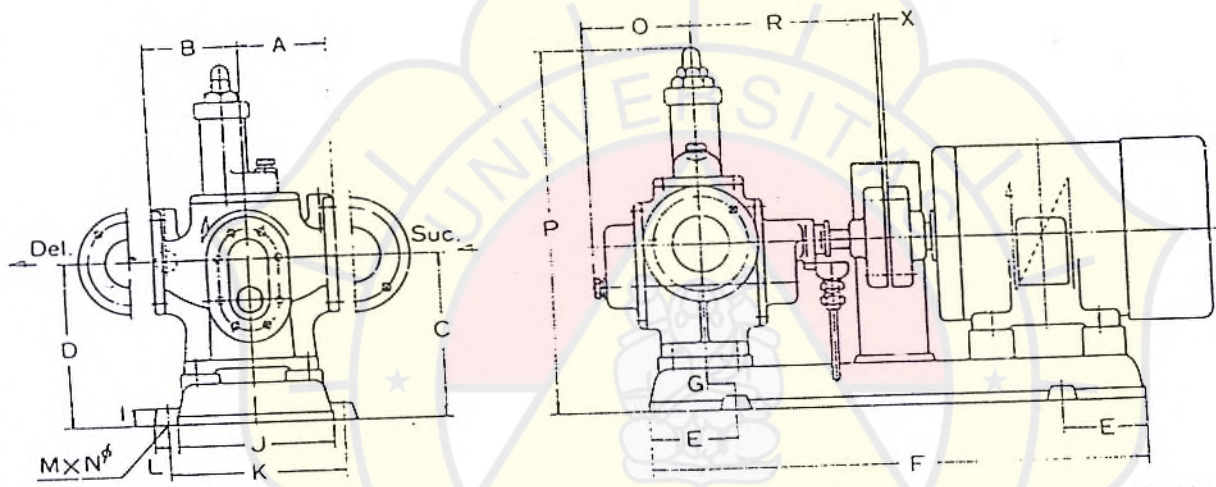


HK.HSK

**Horizontal Single Stage Single Suction Centrifugal Type
 (Equipped with Self Priming Apparatus)**

Service : Cooling Water, Sea Water Service, G. S & Fire, etc.
 Bore : 32 to 250 m/m
 Capacity : 2 to 350 m³/h Head : 12 to 75 m

Type



Dimensions—mm

Type	No. of Rev. (r.p.m.)	Motor (kw)	Bore		A	B	C	D	E	F	G	I	J	K	L	M	N	O	P	R	X	Pump Weight (kg)
			Suc.	Del.																		
05B	1200	0.4	25	20	110	110	200	200	50	365	21	20	170	140	15	4	15	55	330	122	3	30
1B	1200	0.75	32	25	95	95	195	195	100	500	60	25	260	300	23	4	15	89	380	175	3	47
2B	1200	0.75 1.5	40	32	95	95	195	195	100	500	60	25	260	300	23	4	15	96	385	175	3	50
3B	1200	0.75 1.5	50	40	100	100	210	210	100	550	35	25	260	300	23	4	15	98	412	185	3	55
4B	1200	1.5 2.2	65	50	105	105	225	225	100	600	20	25	280	320	23	4	15	144	470	200	3	70
5B	1200	1.5 2.2	65	50	105	105	225	225	100	600	20	25	280	320	23	4	15	111	470	200	3	72
6B	1200	2.2	65	50	105	105	225	225	100	600	20	25	280	320	23	4	15	55	470	200	3	72
	1200	3.7	65	50	105	105	230	230	130	640	60	25	300	330	25	4	15	63	475	200	3	78
7.5B	1200	2.2 3.7	80	65	110	110	245	245	150	700	50	25	300	350	23	4	15	122	500	220	3	90
10B	1200	2.2 3.7	80	65	140	140	230	230	125	700	30	25	310	350	23	4	15	137	530	245	3	95
11.2B	1200	3.7	80	65	140	140	230	230	125	700	30	25	310	350	23	4	15	152	530	250	3	103
	1200	5.5	80	65	140	140	230	230	125	750	30	25	310	350	23	4	15	152	530	250	3	103
11.5B	1200	3.7 5.5	80	65	150	150	260	260	100	750	0.20	25	310	350	23	4	15	165	565	285	3	140
	1200	7.5	80	65	150	150	270	270	150	950	65	30	350	390	22	4	19	19	575	285	3	140
12.0B	1200	5.5	100	80	160	160	270	270	150	800	50	25	310	350	23	4	15	193	618	315	3	135
	1200	7.5	100	80	160	160	270	270	200	900	100	25	350	390	23	4	15	193	618	315	3	135
12.5B	1200	5.5	100	80	160	160	270	270	150	800	50	25	310	350	23	4	15	193	618	315	3	135
	1200	7.5	100	80	160	160	270	270	200	900	100	25	350	390	23	4	15	193	618	315	3	135
13.0B	1200	7.5 11	125	100	175	175	320	320	200	1000	80	30	370	420	25	4	19	210	688	357	3	200
14.0B	1200	7.5 11	150	125	190	190	330	330	200	1050	40.57	35	490	540	25	4	23	240	780	387	3	220
15.0B	1200	11 15	150	125	235	235	390	390	250	1100	90	30	450	500	25	4	19	225	835	385	3	365
16.5B	1200	15 18.5	150	125	235	235	390	390	200	1150	30	30	500	550	25	4	19	245	840	415	3	370
18.0C	900	18.5 22	150	125	250	250	460	460	200	1500	0	45	570	620	30	6	23	377	1005	577	3	490
1100D	720	22 30	200	175	350	350	370	370	300	1730	-30	35	620	680	28	4	23	523	1395	730	4	550

DST DR type GENERAL PUMP

• The standard revolution speed of HSY type is 3600 r.p.m. and HK type is 1800 r.p.m.

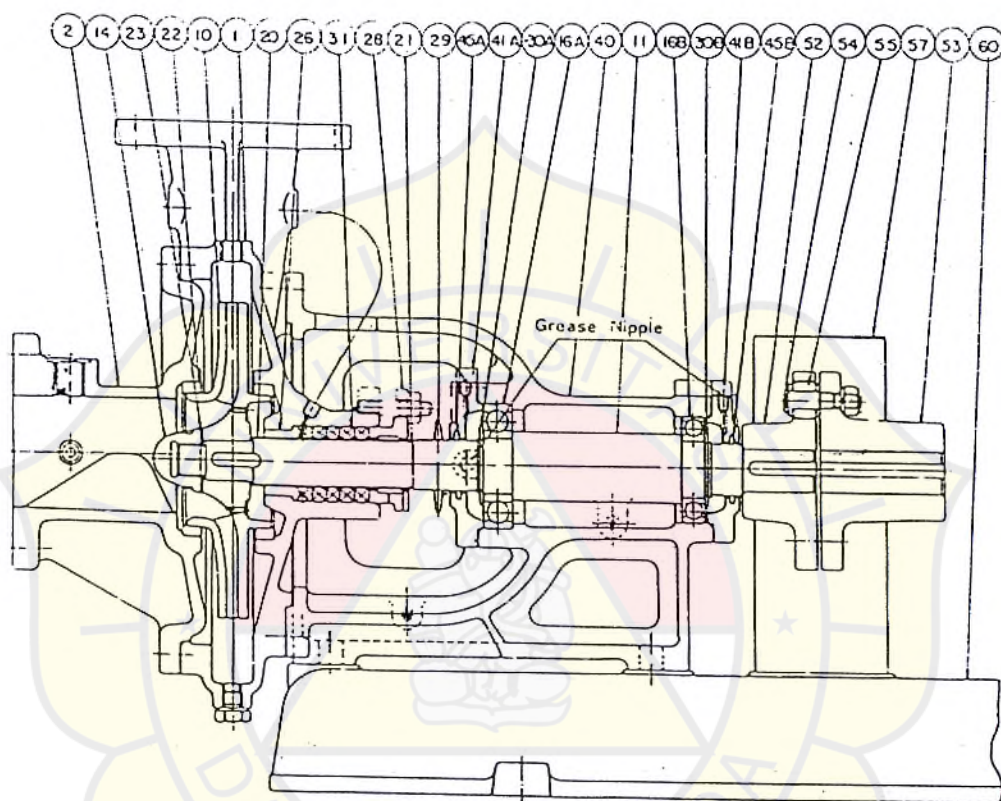
• Refer to page 1 for materials of main parts.

Note

Numbers of revolution seen in every performance chart indicate numbers of synchronous revolution of electric motors. But each pump performance in the performance charts was obtained by the revolution at which the motors were actually runned with pumps.

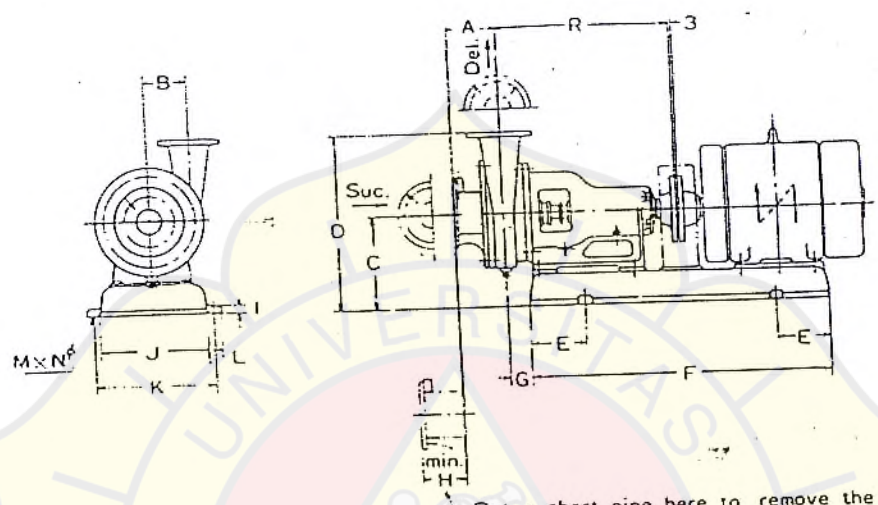
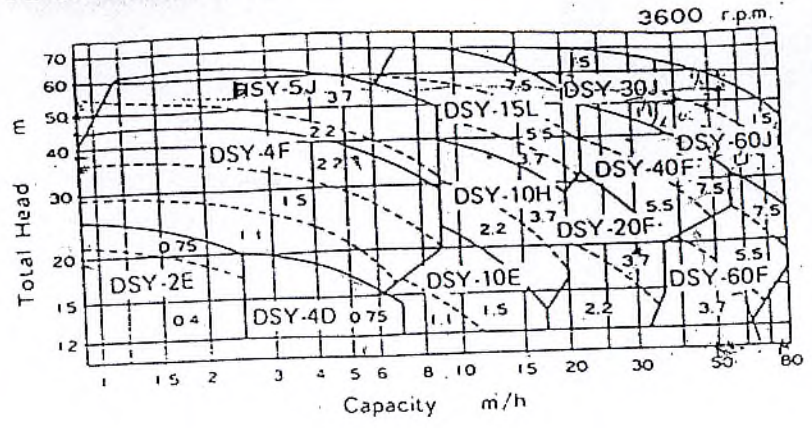
Service

- Fresh Water Pu
- Drinking Water
- Sanitary Pump
- Cooling Water f



PART NO.	NAME OF PART	MATERIAL NOMINATION	QUANTITY	PART NO.	NAME OF PART	MATERIAL NOMINATION	QTY
1	CASING		1	30A	RETAINING RING	CARBON T. STEEL	1
2	CASING COVER		1	30B	RETAINING RING	CARBON T. STEEL	1
10	IMPELLER		1	31	GLAND PACKING	PILLAR NO. 6501L	1
11	SHAFT WITH KEY	STAINLESS STEEL	1 SET	40	BEARING CASE	BRONZE/CAST IRON	1
14	IMPELLER NUT	HIGH-TEN. BRASS	1	41A	BEARING COVER	BRONZE/CAST IRON	1
16A	BALL BEARING		1	41B	BEARING COVER	BRONZE/CAST IRON	1
16B	BALL BEARING		1	45A	FELT RING	FELT	1
20	SLEEVE	STAINLESS STEEL	1	45B	FELT RING	FELT	1
21	"O"RING	SYNTH. RUBBER	1	52	FLEXIBLE COUPLING	CAST IRON	1
22	MOUTH RING	LEADED BRONZE	1-2	53	FLEXIBLE COUPLING	CAST IRON	1
23	WASHER	BRASS	1	54	COUPLING BOLT	MILD STEEL	6
26	SEAL BUSH	LEADED BRONZE	1	55	BUFFER RING	SYNTH. RUBBER	6
28	PACKING GLAND	BRONZE	1	57	COUPLING COVER	MILD STEEL	1
29	WATER SHELTER	SYNTH. RUBBER	1	60	COMMON BED	CAST IRON	1

DSY Type

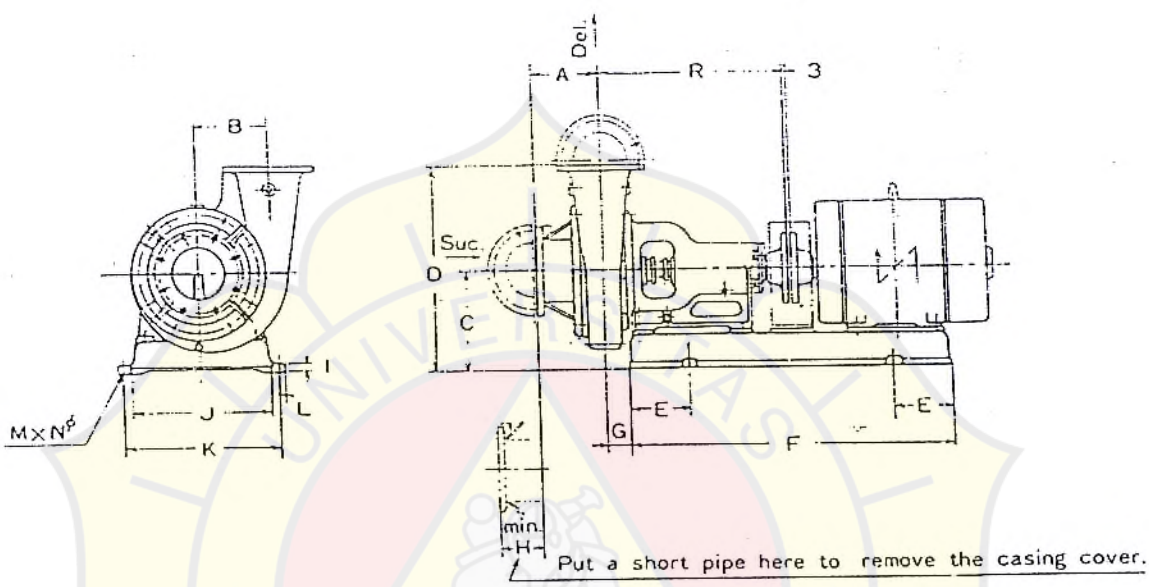
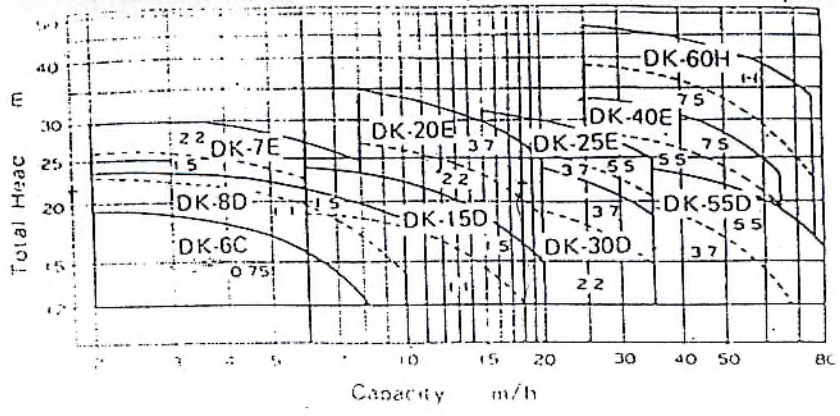


Dimensions—mm

Type	Motor (kw)	Bore Suc.	Bore Del.	A	B	C	D	E	F	G	H	I	J	K	L	M	N	R	Pump Weight (kg)
DSY-2E	0.75	32	32	88	73	165	315	100	550	35	100	25	200	240	23	4	15	350	45
DSY-4D	0.75	32	32	90	65	172	290	100	550	35	100	25	200	240	23	4	15	350	50
DSY-4F	1.5	32	32	96	92	165	315	100	600	30	100	25	200	240	23	4	15	350	50
	2.2	32	32	96	92	175	325	100	620	35	100	25	240	280	23	4	15	350	60
DSY-5J	2.2	32	32	94	95	182	325	100	620	35	100	25	260	300	23	4	15	350	60
	3.7	32	32	94	95	197	340	100	650	30	100	25	200	240	23	4	15	350	60
DSY-10E	1.5	50	50	96	75	165	295	100	600	30	100	25	240	280	23	4	15	350	55
DSY-10H	2.2	50	50	96	96	175	325	100	620	35	100	25	240	280	23	4	15	350	55
	3.7	50	50	96	96	190	340	100	650	30	100	25	260	300	23	4	15	350	55
DSY-15L	3.7	50	50	110	120	190	390	125	700	28	100	25	300	340	23	4	15	370	80
	5.5	50	50	110	120	210	410	125	700	28	100	25	300	340	23	4	15	370	80
	7.5	50	50	110	120	210	410	150	750	28	100	25	300	340	23	4	15	370	80
DSY-20F	2.2	65	65	105	95	175	315	100	620	35	100	25	240	280	23	4	15	350	75
	3.7	65	65	105	95	190	330	100	650	30	100	25	260	300	23	4	15	350	75
DSY-40F	5.5	100	100	118	105	202	420	125	700	28	100	25	300	340	23	4	15	370	125
	7.5	100	100	118	105	202	420	150	750	28	100	25	300	340	23	4	15	370	125
DSY-30J	11	65	65	120	120	249	445	175	860	35	100	25	360	400	23	4	15	425	110
	15	65	65	120	120	249	445	175	900	35	100	25	360	400	23	4	15	425	110
DSY-60F	3.7	100	100	122	115	210	390	120	700	35	100	25	300	340	23	4	15	425	160
	5.5	100	100	122	115	210	390	150	750	30	100	25	300	340	23	4	15	425	160
DSY-60J	7.5	100	100	122	115	210	390	150	780	35	100	25	300	340	23	4	15	425	160
	11	100	100	120	120	235	445	175	860	35	100	25	360	400	23	4	15	425	110
DSY-60J	15	100	100	120	120	235	445	175	900	35	100	25	360	400	23	4	15	425	110

DK Type

1800 rpm



Type	Motor (kw)	Bore		A	B	C	D	E	F	G	H	I	J	K	L	M	N	R	Pump Weight (kg)
		Suc.	Del.																
DK-6C	0.75	32	32	96	110	165	315	100	550	35	100	25	200	240	23	4	15	350	50
DK-8D	1.5			100	130	165	315	100	600	30	100	25	200	240	23	4	15	350	55
DK-7E	1.5	32	32	100	135	165	335	100	600	30	100	25	200	240	23	4	15	350	60
	2.2			100	135	175	345	100	620	35	100	25	240	280	23	4	15	350	60
DK-15D	1.5	50	50	108	125	165	325	100	600	30	100	25	200	240	23	4	15	350	95
	2.2	50	50	108	160	175	365	100	620	35	100	25	240	280	23	4	15	350	115
DK-20E	3.7			108	160	190	380	100	650	30	100	25	260	300	23	4	15	350	115
	5.5			110	154	210	390	125	700	28	100	25	300	340	23	4	15	370	145
DK-25E	3.7	65	65	110	154	190	370	125	700	28	100	25	300	340	23	4	15	370	145
	5.5			110	154	210	390	125	700	28	100	25	300	340	23	4	15	370	145
DK-30D	2.2	65	65	104	150	175	365	100	620	35	100	25	240	280	23	4	15	350	120
	3.7			104	150	190	380	100	650	30	100	25	260	300	23	4	15	350	120
DK-55D	3.7	100	100	113	160	190	390	125	700	28	100	25	300	340	23	4	15	370	190
	5.5			113	160	210	410	125	700	28	100	25	300	340	23	4	15	370	190
DK-40E	5.5	100	100	112	165	201	410	125	700	30	100	25	300	340	23	4	15	372	180
	7.5			112	165	201	410	150	750	30	100	25	300	340	23	4	15	372	180
DK-60H	7.5	100	100	117	177	210	440	150	780	32	100	25	300	340	23	4	15	422	210
	11			117	177	235	465	175	860	32	100	25	360	400	23	4	15	422	210